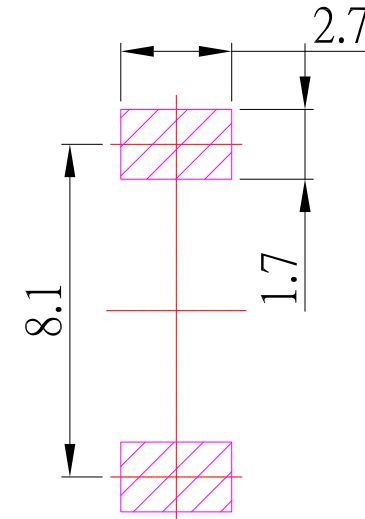
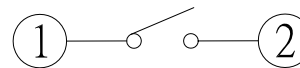
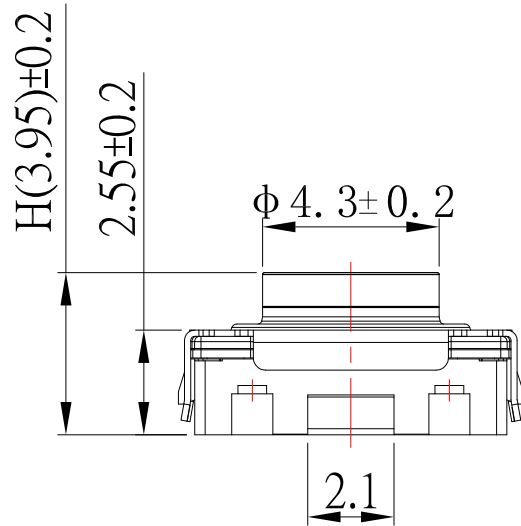


IP67



P.C.B MOUNTING PATTERN DIMENSION



CIRCUIT DIAGRAM

SPECIFICATIONS

Rating	DC 12V 50mA Max.
Contact Resistance	100mΩ Max.
Travel	0.90 ± 0.2mm
Operating Force	400 ± 80gf
Operating Life (cycles)	500,000

NO	PART NAME	QTY	MATERIAL	REMARK
5	TERMINAL (端子)	1	BRASS	Ag plating
4	HOUSING (基座)	1	LCP	—
3	CONTACT FORM (弹片)	1	SUS	Ag plating
2	COVER (盖板)	1	SUS	
1	STEM (按钮)	1	SILICONE	

CONTACT 建倚科技股份有限公司
CONTACT TECHNOLOGY CORP.

TOLERANCE UNLESS OTHERWISE STATED :

Up to 5 ±0.2
Above 5 ~ 15 ±0.3
Above 15 ~ 30 ±0.4
Above 30 ~ 50 ±0.5
Angle ±0.3

3RD. ANGEL'S



UNITS MM

DRAWN BY: Jack Lu
CHECKED BY: Jacky Chen
APPROVED BY: Tony Kao

DATE: 09/15/21
DATE: 09/15/21
DATE: 09/15/21

MATL		TITLE	SWITCH
FINISH		MODLE	TACT SWITCH Long Travel :0.9mm
SCALE	1 : 1	DWG NO.	TS-A69W-7-S138
SHEET NO.	1 of 1	PART NO.	TS-A69W-7-S138

ITEM NO	DESCRIPTION	DRAWN	DATE
2	更新材質	Jack	091521
1	新增IP67標示	Jack	062421