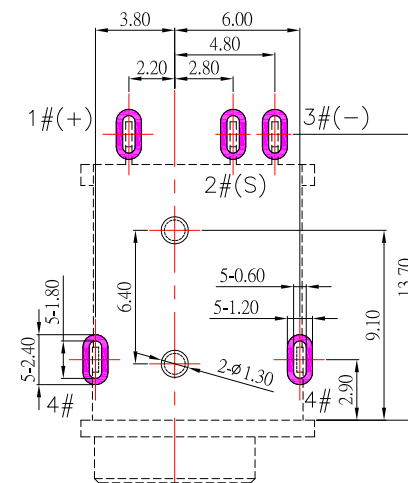
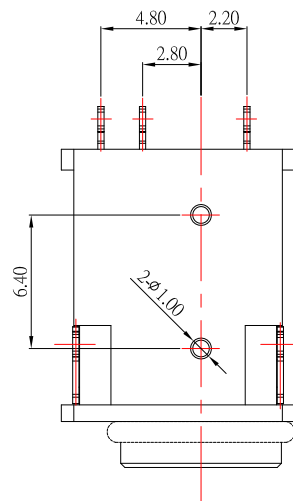
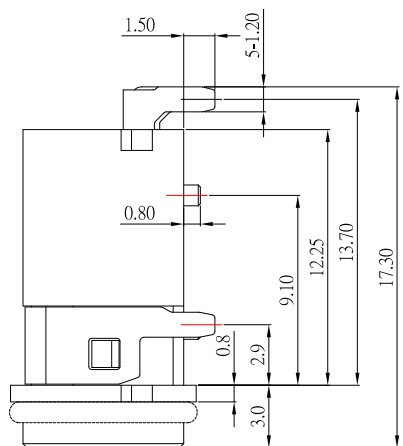
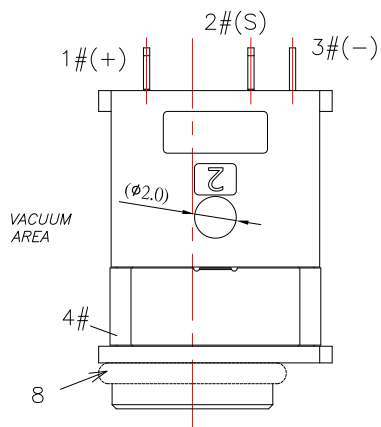
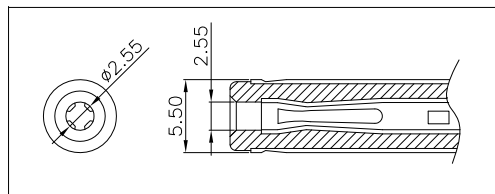
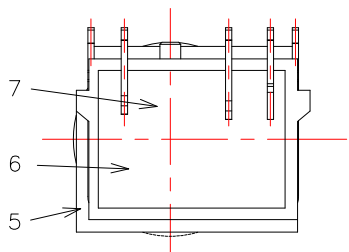
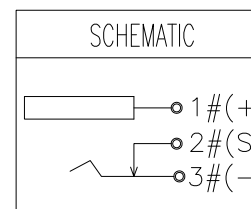


IPX7

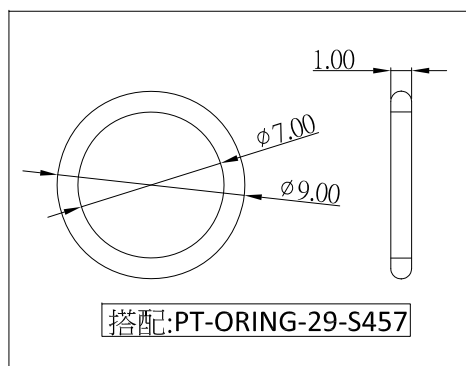
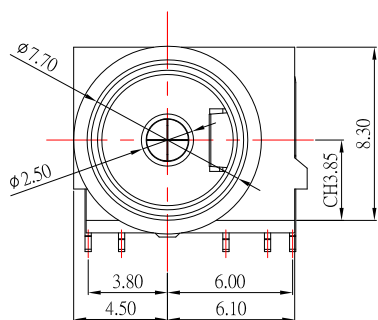


P.C.B LAYOUT



SPECIFICATION

1. Rating : DC 24V , 5.0A
2. Contact resistance : $\leq 50m\Omega$
3. Insulation resistance : $\geq 100M\Omega$
4. Withstand voltage : 500VAC
5. Insertion and extraction force : 3-35N
6. life test : 5,000 cycles



搭配:PT-ORING-29-S457

ITEM	NAME	Q'TY	DESCRIPTION
8	WATERPROOF RING	1	SILICONE; WHITE
7	GLUE	1	EPOXY; BLACK
6	BACK COVER	1	PA10T; BLACK
5	HOUSING	1	PA10T; BLACK
4	TERMINAL 4#	1	SUS; NICKEL PLATING
3	TERMINAL 3#	1	BRASS; NICKEL UNDERPLATING OVERALL, Au PLATING ON SOLDER AREA
2	TERMINAL 2#	1	PHOSPHOR BRONZE; NICKEL UNDERPLATING OVERALL, Au PLATING ON THE WHOLE
1	CENTER PIN	1	BRASS; NICKEL UNDERPLATING OVERALL, Au PLATING ON SOLDER AREA

CONTACT 建倚科技股份有限公司
CONTACT TECHNOLOGY CORP.

TOLERANCE UNLESS OTHERWISE STATED:
Up to 5 ±0.2
Above 5 ~ 15 ±0.3
Above 15 ~ 30 ±0.4
Above 30 ~ 50 ±0.5
Angle ±0.3

3RD. ANGEL'S



UNITS MM

DRAWN BY:	DATE	MAT'L	TITLE	JACK
Jack Lu	05/25/23			
CHECKED BY:	DATE	FINISH	MODLE	防水 DC JACK
Jacky Chen	05/25/23			
APPROVED BY:	DATE	SCALE	DWG NO.	DC-WP3090CH-2.5-S457
Tony Kao	05/25/23	1 : 1		
ITEM NO.	DESCRIPTION	DRAWN	DATE	SIZE
				A4
				VER
				R