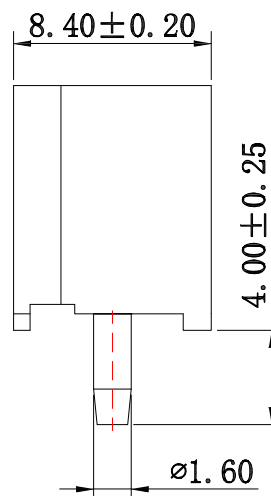
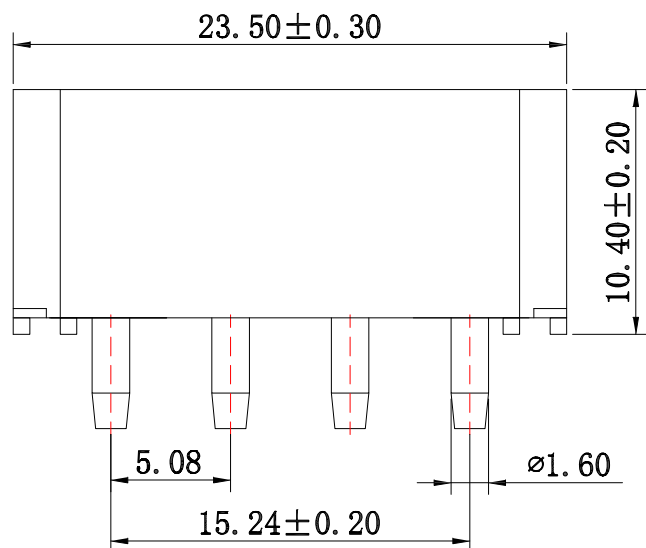


P. C. B LAYOUT



SPECIFICATIONS

Current rating : 5.0A AC , DC
 Voltage rating : 250V AC , DC
 Temperature rating : -25°C ~ +85°C
 Insulation resistance : 1,000 MΩ min.
 Withstand voltage : 1,500V AC/minute
 Contact resistance : 20 mΩ /Max
 Material:
 Base : Nylon66
 Pin : Brass / Tin-plated

ITEM NO.	DESCRIPTION	DRAWN	DATE

CONTACT 建倚科技股份有限公司
CONTACT TECHNOLOGY CORP.

TOLERANCE UNLESS OTHERWISE STATED :
 Up to 5 ±0.2
 Above 5 ~ 15 ±0.3
 Above 15 ~ 30 ±0.4
 Above 30 ~ 50 ±0.5
 Angle ±0.3

3RD. ANGEL'S



UNITS MM

DRAWN BY:	DATE	MAT'L	TITLE	CONNECTOR
Jack Lu	11/17/17	FINISH	MODLE	WAFER 5.08 DIP 大四P 180度
CHECKED BY:	DATE	SCALE	DWG NO.	WF-5080VD04-S304
Jacky Chen	11/17/17	SHEET NO.	PART NO.	WF-5080VD04-S304
APPROVED BY:	DATE	1 of 1		
Tony Kao	11/17/17			

SIZE
A4
VER
R