

IPX7



SBC-WP240S1-31x-S382

鍍層厚度:

Blank : 1u"
2 : 15u"
3 : 30u"

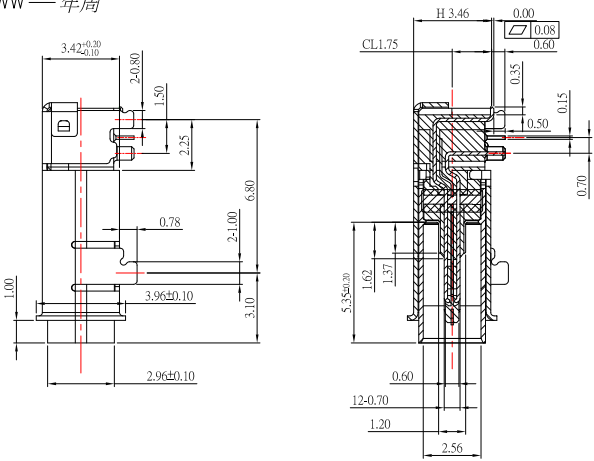
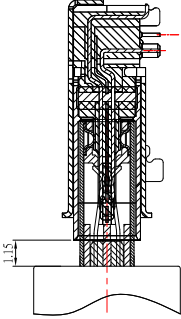
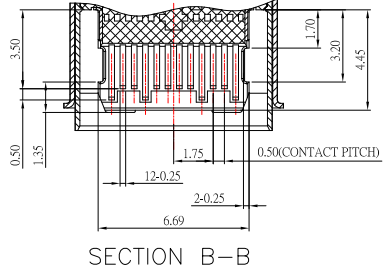
SPECIFICATIONS

- Electrical:**
- Rating: 5.0A(VBUS&GND),0.25A(Other Pin)
 - Contact Resistance: 40 mΩ Max
 - Insulation Resistance: 100 MΩ Min
 - Dielectric Withstanding Voltage: 100V AC

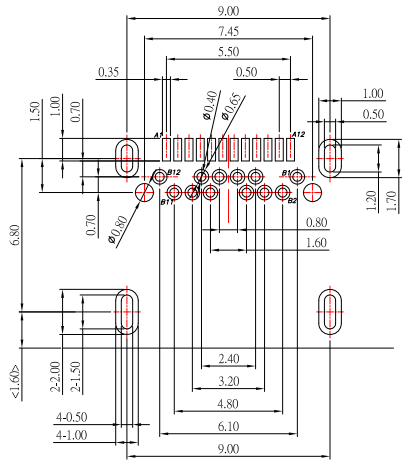
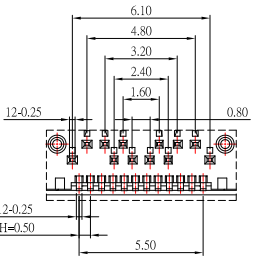
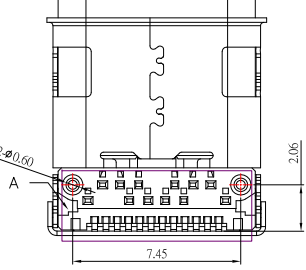
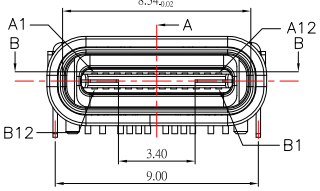
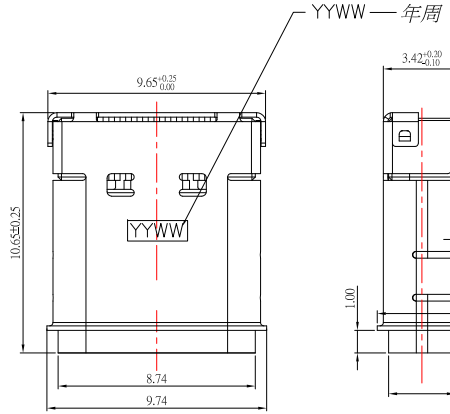
- Mechanical:**
- Connector Mate and Unmate Force
 - Mate force: 5~20 N
 - Unmate force: 8~20 N

- Material:**
- Housing: High Temperature Plastic
 - Contact: Copper Alloy
 - Shell: SUS
 - Glue Water: Epoxy

- Finish:**
- Contact: Plated Gold in Mating Area ;
Tin Plated on Solder Balls ;
Nickel under plated overall
 - Shell: Nickel under Plated surface layer



SECTION A-A



P.C.B LAYOUT MOUNTING PATTERN

Pin	Signal Name	Mating Sequence	Pin	Signal Name	Mating Sequence
A1	GND	First	B12	GND	First
A2	SSTXp1	Second	B11	SSRXp1	Second
A3	SSTXn1	Second	B10	SSRXn1	Second
A4	VBUS	First	B9	VBUS	First
A5	CC1	Second	B8	SBU2	Second
A6	Dp1	Second	B7	Dn2	Second
A7	Dn1	Second	B6	Dp2	Second
A8	SBU1	Second	B5	CC2	Second
A9	VBUS	First	B4	VBUS	First
A10	SSRXn2	Second	B3	SSTXn2	Second
A11	SSRXp2	Second	B2	SSTXp2	Second
A12	GND	First	B1	GND	First
SHELL	GND		SHELL	GND	

ITEM NO.	DESCRIPTION	DRAWN	DATE
3	更新圖面	Jack	082219
2	新增IPX7標示	Jack	030618
1	新增PIN標示	Jack	121917

CONTACT 建倚科技股份有限公司
CONTACT TECHNOLOGY CORP.

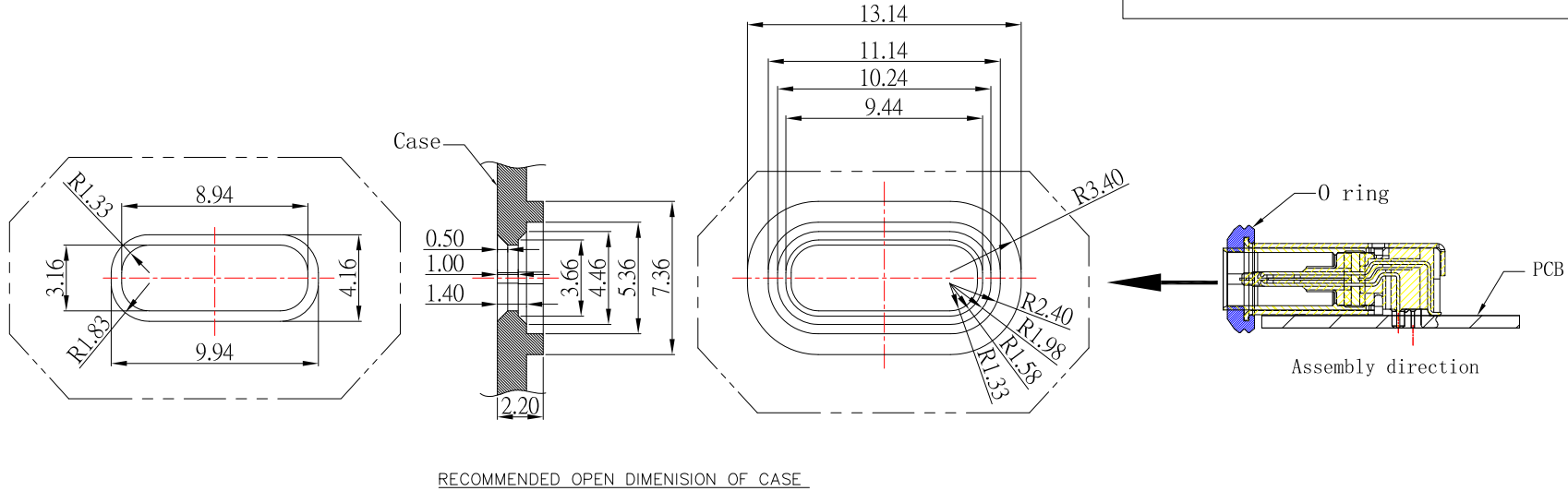
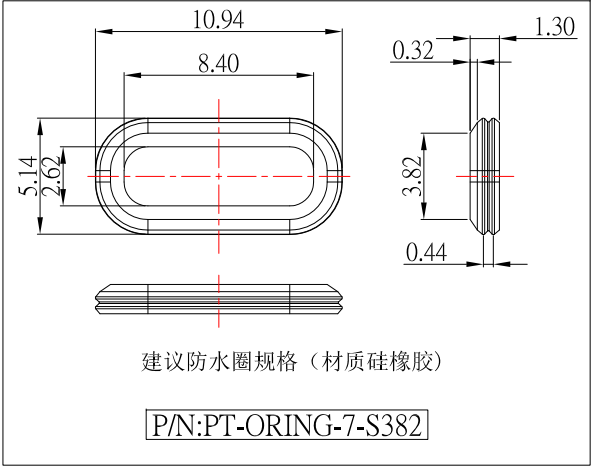
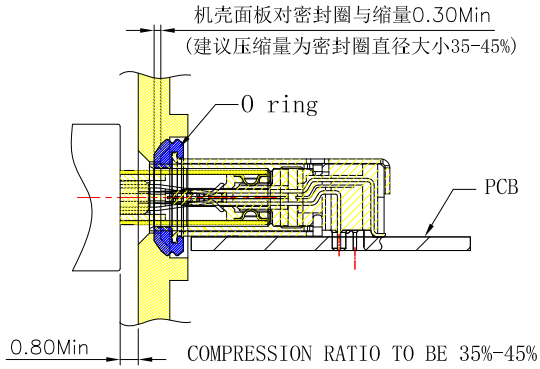
TOLERANCE UNLESS OTHERWISE STATED:
 Up to 5 ±0.2
 Above 5 ~ 15 ±0.3
 Above 15 ~ 30 ±0.4
 Above 30 ~ 50 ±0.5
 Angle ±0.3°

3RD. ANGEL'S

UNITS MM

DRAWN BY:	DATE	MAT'L	TITLE	CONNECTOR
Jack Lu	08/22/19		MODLE	USB 3.1 TYPE C 防水型 板上式 H3.46 IPX7
CHECKED BY:	DATE	FINISH	DWG NO.	SBC-WP240S1-31x-S382
Jacky Chen	08/22/19		SCALE	1 : 1
APPROVED BY:	DATE	SHEET NO.	PART NO.	SBC-WP240S1-31x-S382
Tony Kao	08/22/19	1 of 2		

IPX7



CONTACT 建倚科技股份有限公司
CONTACT TECHNOLOGY CORP.

TOLERANCE UNLESS OTHERWISE STATED:
 Up to 5 ±0.2
 Above 5 ~ 15 ±0.3
 Above 15 ~ 30 ±0.4
 Above 30 ~ 50 ±0.5
 Angle ±0.3°

3RD. ANGEL'S



UNITS MM

DRAWN BY:	DATE	MAT'L	TITLE	CONNECTOR
Jack Lu	08/22/19		MODLE	USB 3.1 TYPE C 防水型 板上式 H3.46 IPX7
CHECKED BY:	DATE	FINISH	DWG NO.	SBC-WP240S1-31x-S382
Jacky Chen	08/22/19		PART NO.	SBC-WP240S1-31x-S382
APPROVED BY:	DATE	SCALE	SHEET NO.	2 of 2
Tony Kao	08/22/19	1 : 1		

ITEM NO.	DESCRIPTION	DRAWN	DATE
3	更新圖面	Jack	082219
2	新增IPX7標示	Jack	030618
1	新增PIN標示	Jack	121917