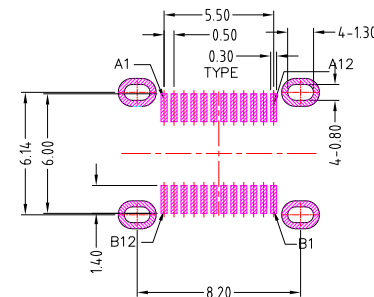
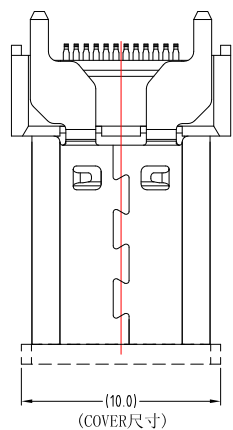




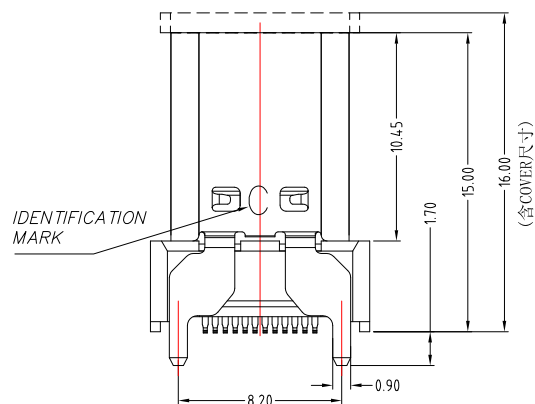
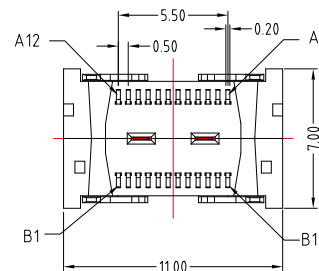
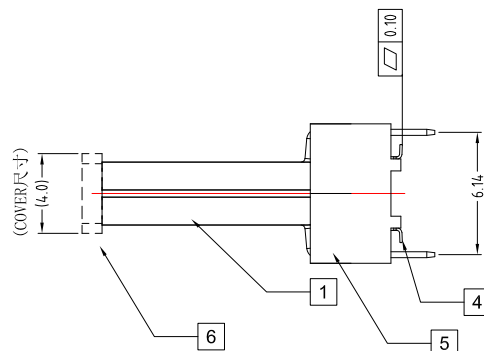
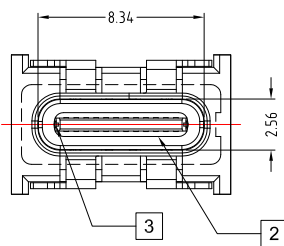
SBC-240VSE5-31x-S277

鍍層厚度:

Blank : 1u"
2 : 15u"
3 : 30u"



RECOMMEND P.C.B LAYOUT



SPECIFICATIONS

Electrical:

- 1. Dielectric Withstand Voltage: 100V AC
- 2. Contact Resistance: 40 mΩ Max
- 3. Insulation Resistance: 100 MΩ Min

Mechanical:

- 1. Connector Mate and Unmate Force
 - 1.1 Mate force: 5~20 N
 - 1.2 Unmate force: 8~20 N

Material:

- 1. Housing: LCP
- 2. Contact: Copper Alloy
- 3. Shell: SUS

Finish:

- 1. Contact: Plated Gold in Mating Area ;
Tin Plated on Solder Balls ;
Nickel under plated overall
- 2. Shell: Nickel under Plated surface layer

CONTACT 建倚科技股份有限公司
CONTACT TECHNOLOGY CORP.

TOLERANCE UNLESS OTHERWISE STATED:	Up to 5 ±0.2	3RD. ANGEL'S	UNITS	MM
	Above 5 ~ 15 ±0.3			
	Above 15 ~ 30 ±0.4			
	Above 30 ~ 50 ±0.5			
	Angle ±0.3°			

DRAWN BY:	DATE	MAT'L	TITLE	CONNECTOR
Jack Lu	01/28/21			
CHECKED BY:	DATE	FINISH	MODLE	TYPE C FEMALE VERTICAL H:15.0mm SMT TYPE
Jacky Chen	01/28/21			
APPROVED BY:	DATE	SCALE	DWG NO.	SBC-240VSE5-31x-S277
Tony Kao	01/28/21	1 : 1	PART NO.	SBC-240VSE5-31x-S277
		SHEET NO.	1 of 1	SIZE A4
				VER R2

2	更新樣式	Jack	012821
1	更新材質表	Jack	121620
ITEM NO.	DESCRIPTION	DRAWN	DATE