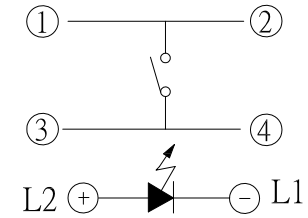
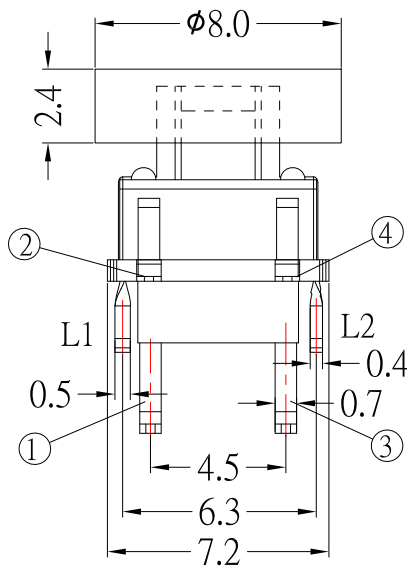
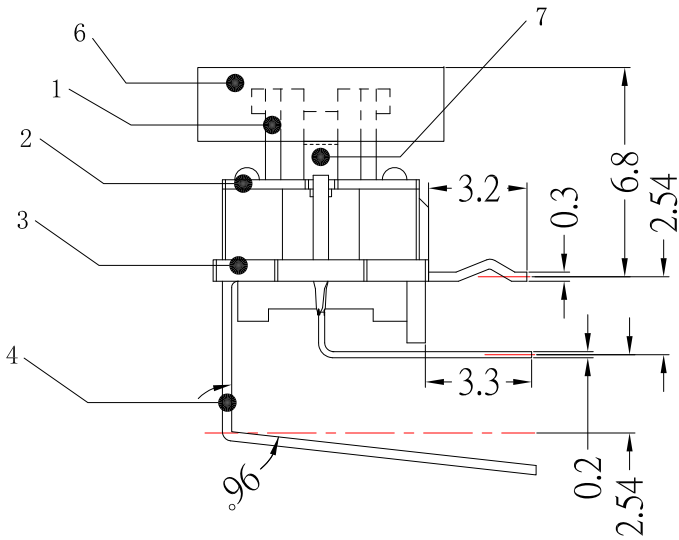


TS-x-C0-J5B-RL6-S313

COLOR OF LED

0	Without	1	Red
2	Green	3	Orange
4	Yellow	7	Blue
8	White		



CIRCUIT DIAGRAM

NO.	DESCRIPTION	QTY	MATERIAL	PLATING
7	LED	1		
6	CAP	1	ABS	銀色雷雕
5	CONTACT	1	PHOSPHOR BRONZE	Ag plated
4	TERMINAL	1	BRASS	Ag plated
3	BASE	1	PA66	Black
2	COVER	1	PET	Natural
1	KNOB	1	PA66	White

CONTACT 建倚科技股份有限公司
CONTACT TECHNOLOGY CORP.

TOLERANCE UNLESS OTHERWISE STATED:
Up to 5 ±0.2
Above 5 ~ 15 ±0.3
Above 15 ~ 30 ±0.4
Above 30 ~ 50 ±0.5
Angle ±0.3

3RD. ANGEL'S



UNITS MM

DRAWN BY: Jack Lu
CHECKED BY: Jacky Chen
APPROVED BY: Tony Kao

DATE: 02/19/19
DATE: 02/19/19
DATE: 02/19/19

MAT'L
FINISH
SCALE: 1 : 1
SHEET NO.: 1 of 1

TITLE: SWITCH
MODLE: TACT SWITCH WITH LED
DWG NO.: TS-x-C0-J5B-RL6-S313
PART NO.: TS-x-C0-J5B-RL6-S313

SIZE: A4
VER: R

ITEM NO.	DESCRIPTION	DRAWN	DATE