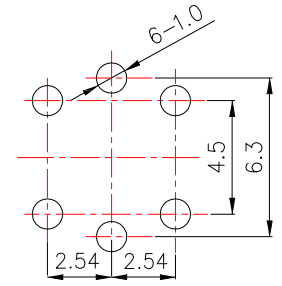
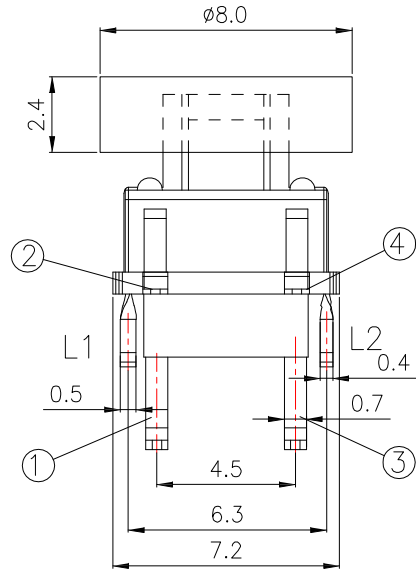
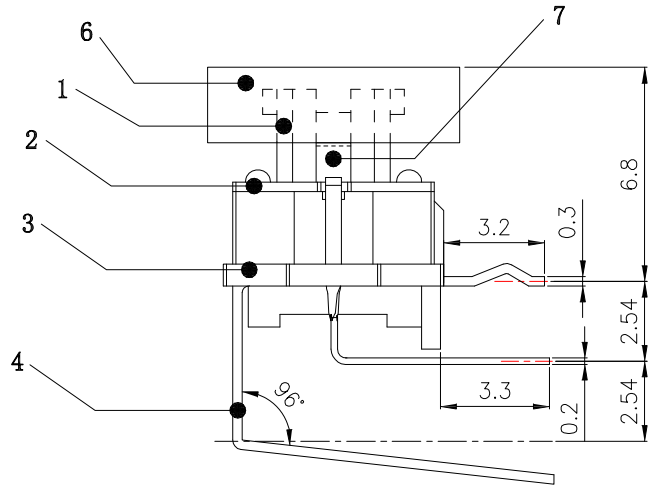


CIRCUIT DIAGRAM



P.C.B LAYOUT



TS-x-C0-D2x-RL6-S313

COLOR OF LED

0	Without	1	Red
2	Green	3	Orange
4	Yellow	7	Blue
8	White		

CAP Color

0	Without	6	Black
8	White	10	Sliver

NO.	DESCRIPTION	QTY	MATERIAL	PLATING
7	LED	1		
6	CAP	1	ABS	
5	CONTACT	1	PHOSPHOR BRONZE	Ag plated
4	TERMINAL	1	BRASS	Ag plated
3	BASE	1	PA66	Black
2	COVER	1	PET	Natural
1	KNOB	1	PA66	White

CONTACT 建倚科技股份有限公司
CONTACT TECHNOLOGY CORP.

TOLERANCE UNLESS OTHERWISE STATED:
Up to 5 ±0.2
Above 5 ~ 15 ±0.3
Above 15 ~ 30 ±0.4
Above 30 ~ 50 ±0.5
Angle ±0.3

3RD. ANGEL'S

UNITS MM

DRAWN BY:	DATE	MAT'L	TITLE	SWITCH
Jack Lu	03/09/22			
CHECKED BY:	DATE	FINISH	MODLE	TACT SWITCH WITH LED
Jacky Chen	03/09/22			
APPROVED BY:	DATE	SCALE	DWG NO.	TS-x-C0-D2x-RL6-S313
Tony Kao	03/09/22	1 : 1		
		SHEET NO.	PART NO.	TS-x-C0-D2x-RL6-S313
		1 of 1		

ITEM NO.	DESCRIPTION	DRAWN	DATE