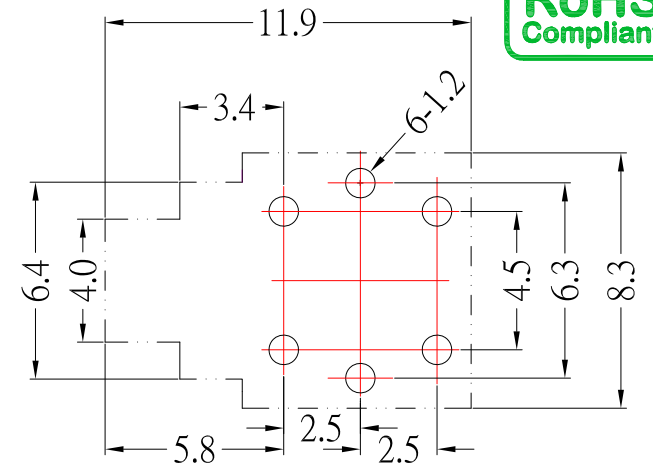


CIRCUIT DIAGRAM

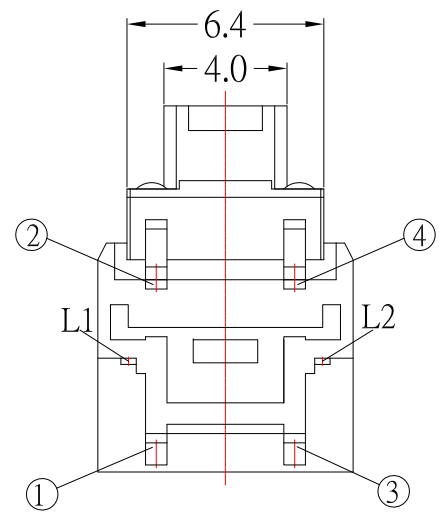
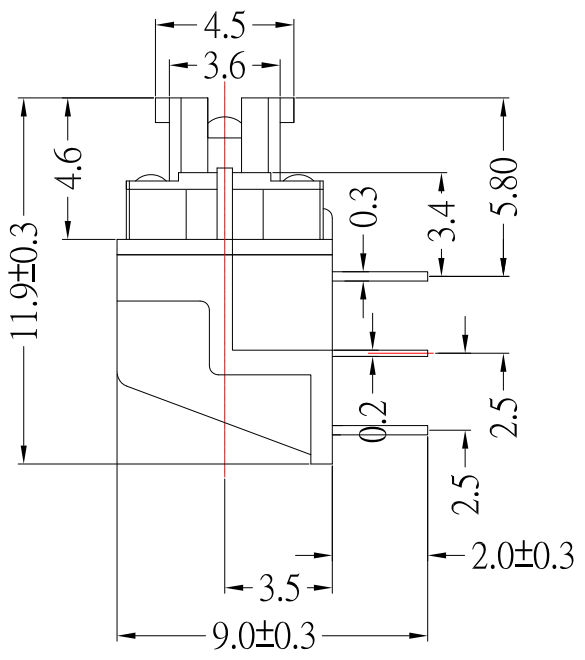


P.C.B LAYOUT  
BOTTOM VIEW

TS-M8-xx-E0RL-S313

COLOR OF LED

0	Without	1	Red
2	Green	4	Yellow
7	Blue	8	White



NO.	DESCRIPTION	QTY	MATERIAL	PLATING
7	LED	1		
6	BASE	1	PA6T	Black
5	CONTACT	1	PHOSPHOR BRONZE	Ag plated
4	TERMINAL	1	BRASS	Ag plated
3	CASE	1	PA6T	Black
2	COVER	1	PPA	Black
1	KNOB	1	PA46	White

**CONTACT** 建倚科技股份有限公司  
CONTACT TECHNOLOGY CORP.

TOLERANCE UNLESS OTHERWISE STATED:  
 Up to 5 ±0.2  
 Above 5 ~ 15 ±0.3  
 Above 15 ~ 30 ±0.4  
 Above 30 ~ 50 ±0.5  
 Angle ±0.3

3RD. ANGEL'S



UNITS MM

DRAWN BY:	DATE	MAT'L	TITLE	SWITCH
Jack Lu	07/16/21			
CHECKED BY:	DATE	FINISH	MODLE	TACT SWITCH WITH LED SMT 捲裝
Jacky Chen	07/16/21			
APPROVED BY:	DATE	SCALE	DWG NO.	TS-M8-xx-E0RL-S313
Tony Kao	07/16/21	1 : 1		
		SHEET NO.	PART NO.	TS-M8-xx-E0RL-S313
		1 of 1		

ITEM NO.	DESCRIPTION	DRAWN	DATE
3	更新樣式	Jack	071621
2	更新尺寸	Jack	051421
1	更新尺寸	Jack	052719