



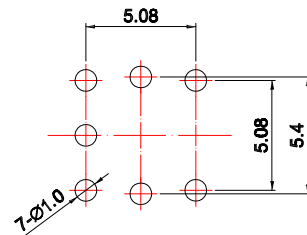
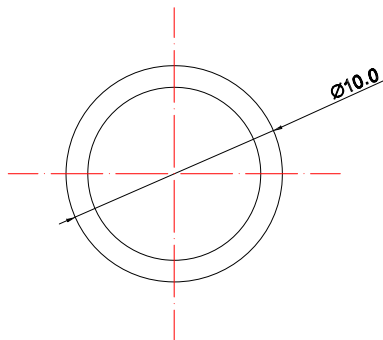
# TS-H5-xx-Sx-S065

## COLOR OF LED

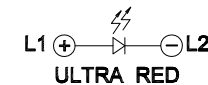
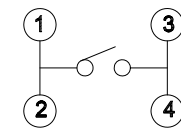
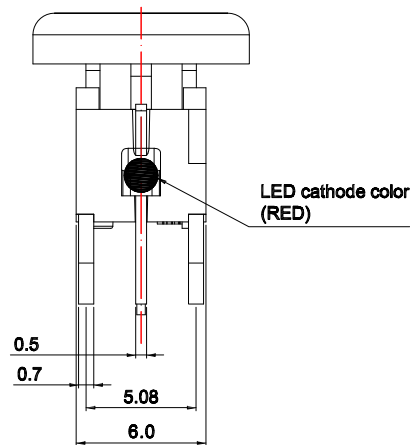
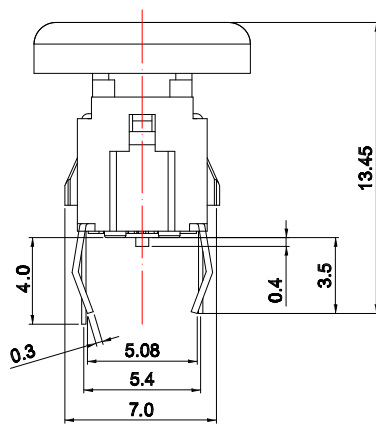
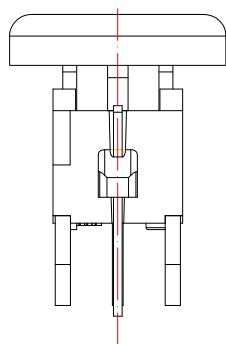
|   |         |   |        |
|---|---------|---|--------|
| 0 | Without | 1 | Red    |
| 2 | Green   | 3 | Orange |
| 4 | Yellow  | 7 | Blue   |
| 8 | White   |   |        |

## CAP Color

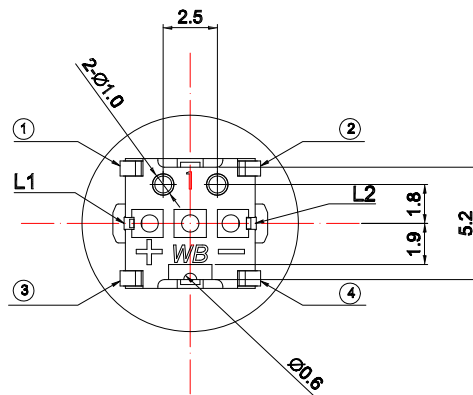
|   |         |   |        |
|---|---------|---|--------|
| 0 | Without | 1 | Red    |
| 2 | Green   | 3 | Yellow |
| 4 | Ivory   | 5 | Gray   |
| 6 | Black   | 8 | White  |



## P.C.B LAYOUT



## SCHEMATIC



## SPECIFICATIONS

|                         |               |
|-------------------------|---------------|
| Rating                  | DC 12V, 50mA  |
| Contact Resistance      | 100 mΩ Max.   |
| Insulation Resistance   | 100 MΩ Min.   |
| Operating Temperature   | -40°C ~ +85°C |
| Operating Force         | 180 ± 50gf    |
| Operating Life (cycles) | 500,000       |

**CONTACT** 建倚科技股份有限公司  
CONTACT TECHNOLOGY CORP.

TOLERANCE UNLESS OTHERWISE STATED:  
 Up to 5 ±0.2  
 Above 5 ~ 15 ±0.3  
 Above 15 ~ 30 ±0.4  
 Above 30 ~ 50 ±0.5  
 Angle ±0.3

3RD. ANGEL'S

UNITS MM

|              |          |           |          |                     |
|--------------|----------|-----------|----------|---------------------|
| DRAWN BY:    | DATE     | MAT'L     | TITLE    | SWITCH              |
| Jack Lu      | 07/02/19 |           | MODLE    | TACT SWITCH W/I LED |
| CHECKED BY:  | DATE     | SCALE     | DWG NO.  | TS-H5-xx-Sx-S065    |
| Jacky Chen   | 07/02/19 | 1 : 1     | PART NO. | TS-H5-xx-Sx-S065    |
| APPROVED BY: | DATE     | SHEET NO. |          |                     |
| Tony Kao     | 07/02/19 | 1 of 1    |          |                     |

|          |             |       |        |
|----------|-------------|-------|--------|
| 1        | 更新料號        | Jack  | 070219 |
| ITEM NO. | DESCRIPTION | DRAWN | DATE   |