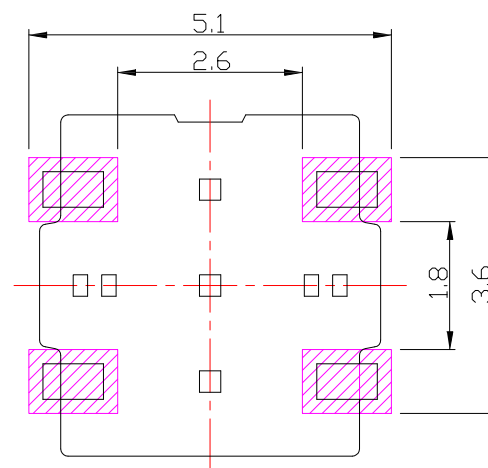
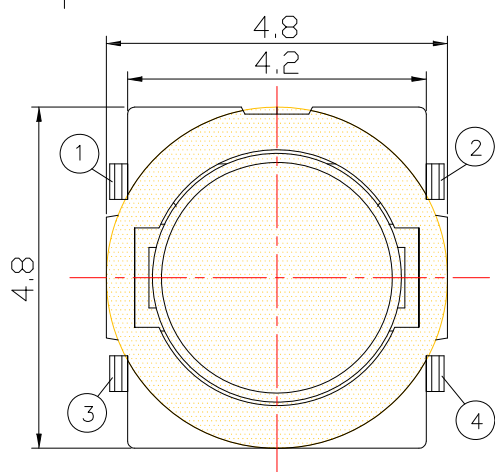
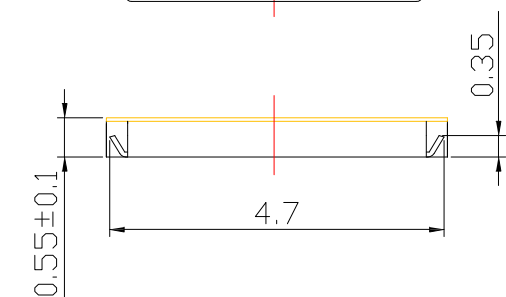


CIRCUIT DIAGRAM

PRODUCT IMAGE



P.C.B LAND DIMENTION

SPECIFICATIONS

Rating	DC 12V 50mA Max.
Circuit	1C - 1P
Contact Resistance	100mΩ Max.
Travel	0.2 ± 0.1mm
Operating Force	2   160 ± 50gf   3   250 ± 50gf
Operating Life (cycles)	100,000

**CONTACT** 建倚科技股份有限公司  
CONTACT TECHNOLOGY CORP.

TOLERANCE UNLESS OTHERWISE STATED:  
 Up to 5 ±0.2  
 Above 5 ~ 15 ±0.3  
 Above 15 ~ 30 ±0.4  
 Above 30 ~ 50 ±0.5  
 Angle ±0.3°

3RD. ANGEL'S

UNITS MM

DRAWN BY: Jack Lu 07/16/14  
 CHECKED BY: Jacky Chen 07/16/14  
 APPROVED BY: Tony Kao 07/16/14

MAT'L		TITLE	SWITCH
FINISH		MODLE	TACT SWITCH
SCALE	1 : 1	DWG NO.	TS-A97AW-x-S126
SHEET NO.	1 of 1	PART NO.	TS-A97AW-x-S126
		SIZE	A4
		VER	R1

1	更新圖面公差	Jack	071614
ITEM NO.	DESCRIPTION	DRAWN	DATE