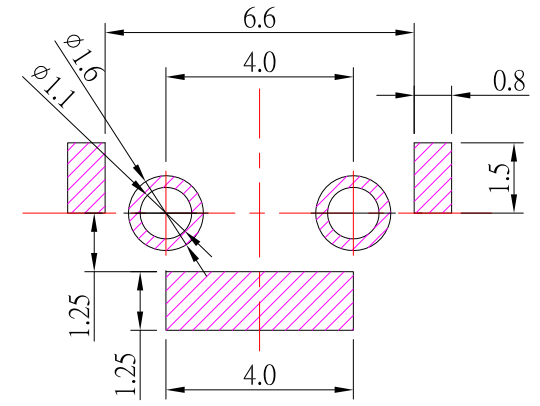
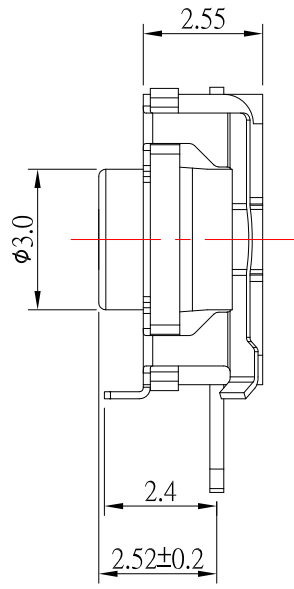
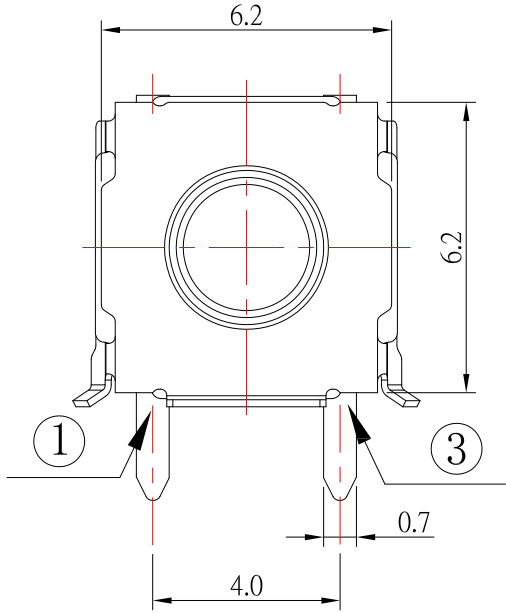
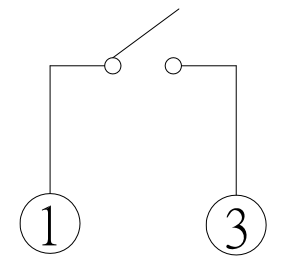
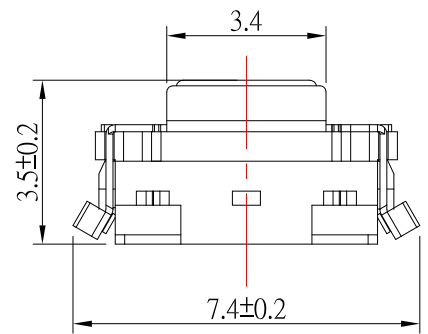


**IP67** **RoHS Compliant**



P.C.B MOUNTING PATTERN DIMENSION



CIRCUIT DIAGRAM

SPECIFICATIONS

Rating	DC 12V, 50mA Max.
Contact Resistance	100mΩ Max.
Travel	0.50 ± 0.30mm
Operating Force	180 ± 50gf
Operating Life (cycles)	300,000

NO.	DESCRIPTION	QTY	MATERIAL	PLATING
E	TERMINAL	4	H65	Ag plated
D	BASE	1	PA6T	
C	CONTACT	1	SUS	Ag plated
B	COVER	1	SUS	
A	STEM	1	RUBBER	

MAT'L	TITLE	MODLE	SIZE
	SWITCH	TACT SWITCH WATERPROOF V/T TYPE	A4
FINISH	DWG NO.	PART NO.	VER
	TS-A77WVS-2-S138	TS-A77WVS-2-S138	R
SCALE	1 : 1	SHEET NO.	1 of 1

**CONTACT** 建倚科技股份有限公司  
**CONTACT TECHNOLOGY CORP.**

TOLERANCE UNLESS OTHERWISE STATED:  
 Up to 5 ±0.2  
 Above 5 ~ 15 ±0.3  
 Above 15 ~ 30 ±0.4  
 Above 30 ~ 50 ±0.5  
 Angle ±0.3°

3RD. ANGEL'S UNITS MM

DRAWN BY: Jack Lu DATE: 05/25/23  
 CHECKED BY: Jacky Chen DATE: 05/25/23  
 APPROVED BY: Tony Kao DATE: 05/25/23

ITEM NO.	DESCRIPTION	DRAWN	DATE