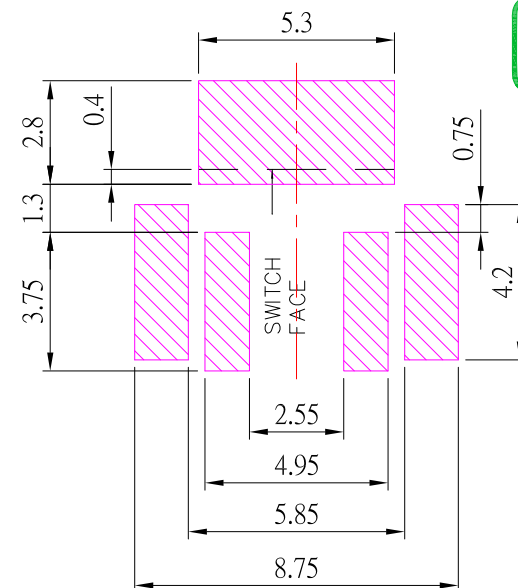


CIRCUIT DIAGRAM

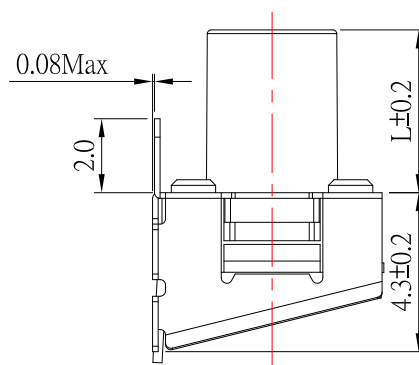
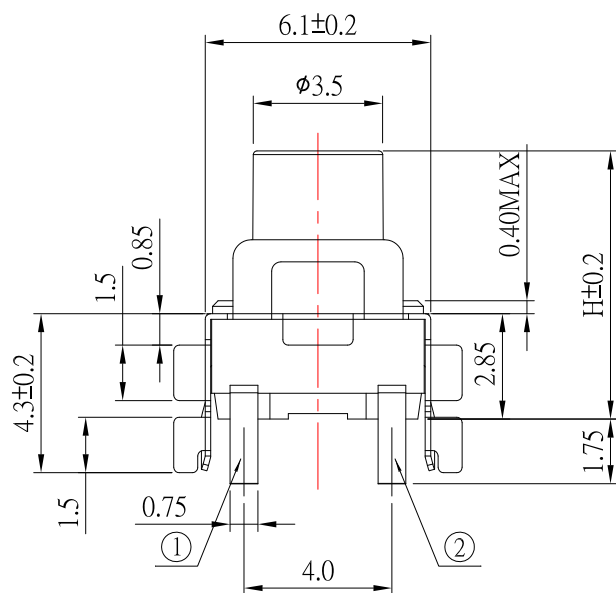
MODEL NO.	TS-A58VS4	TS-A58VS4A	TS-A58VS4B
L (mm)	4.40	4.90	2.30
H (mm)	7.25	7.75	5.15



P.C.B LAYOUT

SPECIFICATIONS

Rating	DC 12V 50mA	
Contact Resistance	100mΩ Max.	
Travel	030±0.10mm	
Operating Force	2 180± 50gf	3 250± 50gf
Operating Life (cycles)	200,000	100,000



G	STEM	1	PPA	
F	COVER	1	SUS	Ag plated
E	PRESSURE PAD	1	PPA	
D	RUBBER PAD	1	SILICA GEL	
C	CONTACT	1	SUS	Ag plated
B	TERMINAL	2	H65	Ag plated
A	BASE	1	PA6T	
NO.	DESCRIPTION	QTY	MATERIAL	PLATING

CONTACT 建倚科技股份有限公司
CONTACT TECHNOLOGY CORP.

TOLERANCE UNLESS OTHERWISE STATED:
 Up to 5 ±0.2
 Above 5 ~ 15 ±0.3
 Above 15 ~ 30 ±0.4
 Above 30 ~ 50 ±0.5
 Angle ±0.3

3RD. ANGEL'S



UNITS

MM

DRAWN BY:

Jack Lu

DATE

01/03/22

CHECKED BY:

Jacky Chen

DATE

01/03/22

APPROVED BY:

Tony Kao

DATE

01/03/22

MAT'L

TITLE

FINISH

MODLE

SCALE

DWG NO.

SHEET NO.

PART NO.

1

1 : 1

1 of 1

SWITCH

TACT SWITCH

TS-A58VS4x-x-S138

TS-A58VS4x-x-S138

SIZE

A4

VER

R1

ITEM NO.	DESCRIPTION	DRAWN	DATE
1	更新圖面	Jack	010323