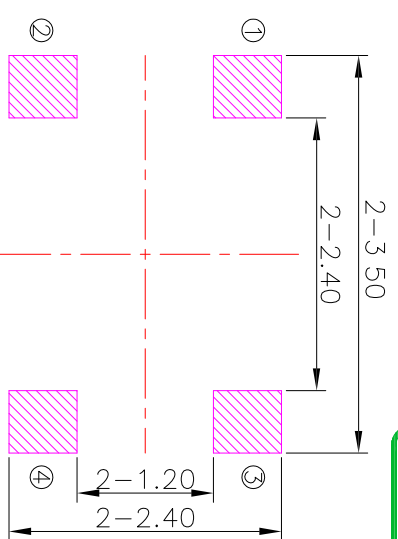
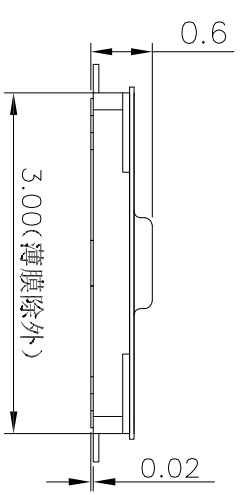
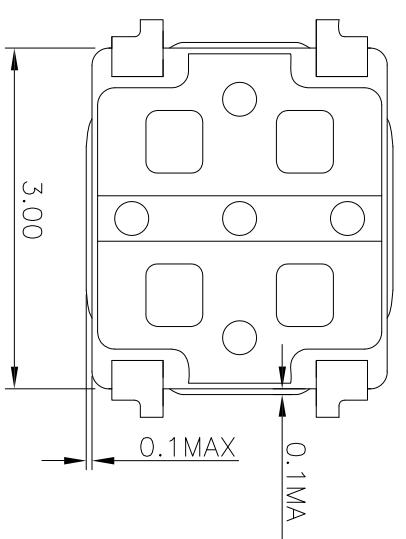


CIRCUIT DIAGRAM



P.C.B LAND PATTERN



SPECIFICATIONS

Rating	50mA 12V DC
Insulation Resistance	100M Ω Min.
Dielectric Withstanding Voltage	AC 250 V
Contact Resistance	100m Ω Max.
Travel	0.13 \pm 0.05mm
Operating Force	2 180 \pm 50gf 3 260 \pm 50gf
Operating Life(cycles)	300,000

NO.	DESCRIPTION	QTY	MATERIAL	PLATING
E	STEM	1	POLYAMIDE(Black)	
D	FILM	1	POLYAMIDE(White)	
C	CONTACT	1	SUS	Ag plated
B	BASE	1	POLYAMIDE(Black)	
A	THERMINAL	4	PHOSPHOR BRONZE	Ag plated

CONTACT 建倚科技股份有限公司
CONTACT TECHNOLOGY CORP.

TOLERANCE UNLESS OTHERWISE STATED: Above 15 - 30 \pm 0.1
Above 30 - 50 \pm 0.2
Angle \pm 0.3

Up to 5 \pm 0.2
5 - 15 \pm 0.1
15 - 30 \pm 0.2
30 - 50 \pm 0.3

DRAWN BY: Jack Lu
CHECKED BY: Jacky Chen
APPROVED BY: Tony Kao

DATE: 08/27/21

DATE: 08/27/21

DATE: 08/27/21

ITEM NO. 1

DESCRIPTION 新機電子及Travel規格

DRAWN Jack

DATE 08/27/21

3RD. ANGLES

UNITS MM

APPROVED BY: Tony Kao

DATE: 08/27/21

SHEET NO. 1 of 1

PART NO. TS-A23A-x-S410

SIZE A4

VER R2

