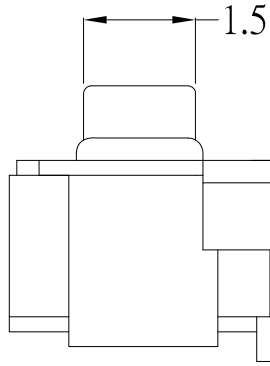
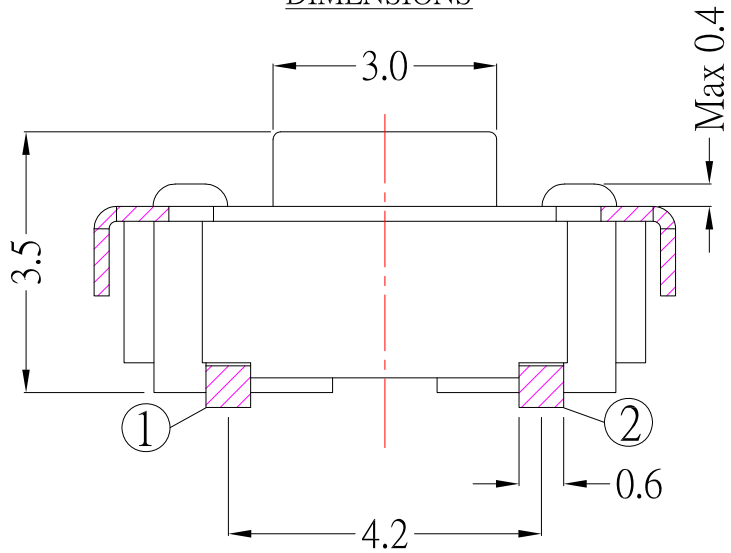
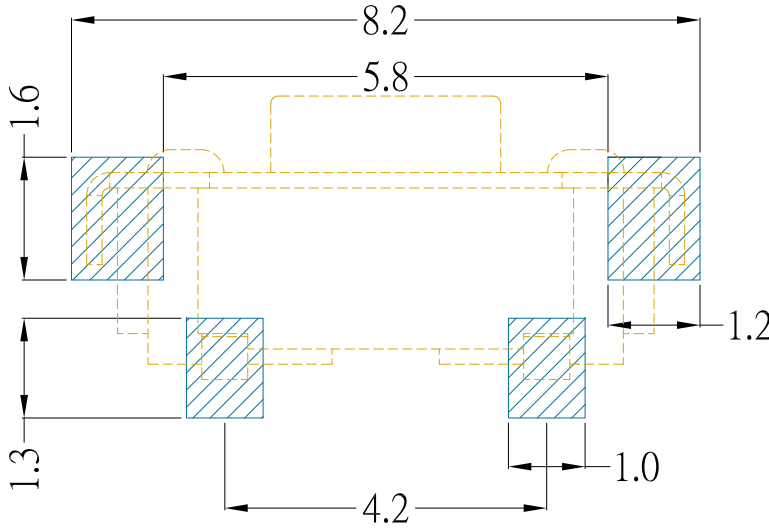




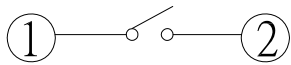
DIMENSIONS



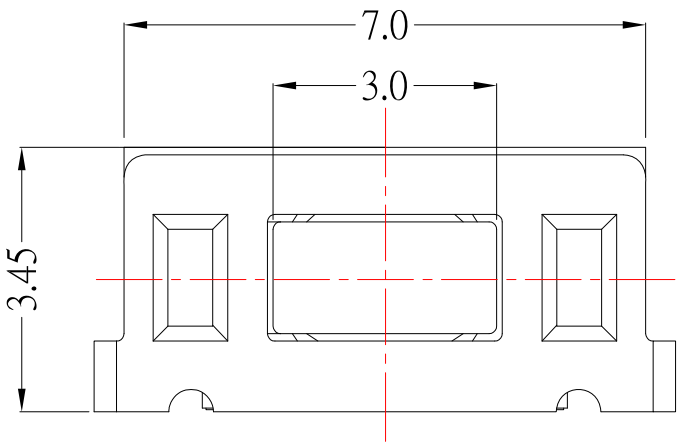
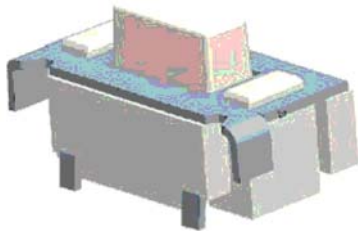
P.C.B. LAYOUT MOUNTING PATTERN



CIRCUIT DIAGRAM



PRODUCT IMAGE



SPECIFICATIONS

| | | | | |
|-------------------------|------------------|------------|--------|------------|
| Rating | DC 12V 50mA Max. | | | |
| Contact Resistance | 100mΩ Max. | | | |
| Travel | 0.25 ± 0.1mm | | | |
| Operating Force | 2 | 160 ± 30gf | 3 | 250 ± 50gf |
| Operating Life (cycles) | 50,000 | | 30,000 | |

CONTACT 建倚科技股份有限公司
CONTACT TECHNOLOGY CORP.

TOLERANCE UNLESS OTHERWISE STATED:
 Up to 5 ±0.2
 Above 5 ~ 15 ±0.3
 Above 15 ~ 30 ±0.4
 Above 30 ~ 50 ±0.5
 Angle ±0.3

3RD. ANGEL'S



UNITS MM

DRAWN BY: Frank Wu
 CHECKED BY: Jacky Chen
 APPROVED BY: Tony Kao

DATE: 02/24/12
 DATE: 02/24/12
 DATE: 02/24/12

MAT'L
 FINISH
 SCALE: 1 : 1
 SHEET NO.: 1 of 1
 TITLE: SWITCH
 MODLE: TACT SWITCH
 DWG NO.: TS-A12-x-S126
 PART NO.: TS-A12-x-S126

SIZE: A4
 VER: A

| | | | |
|----------|-------------|-------|------|
| ITEM NO. | DESCRIPTION | DRAWN | DATE |
| | | | |