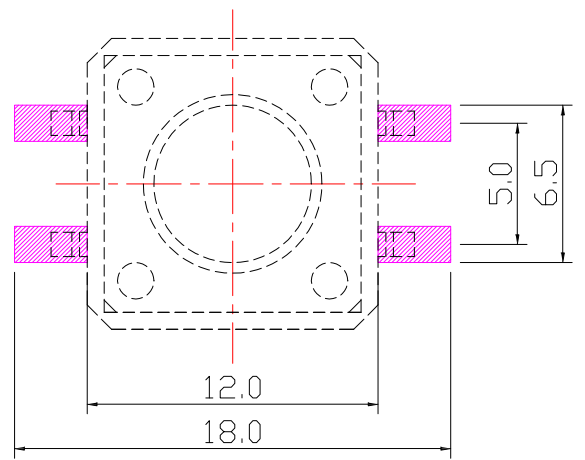
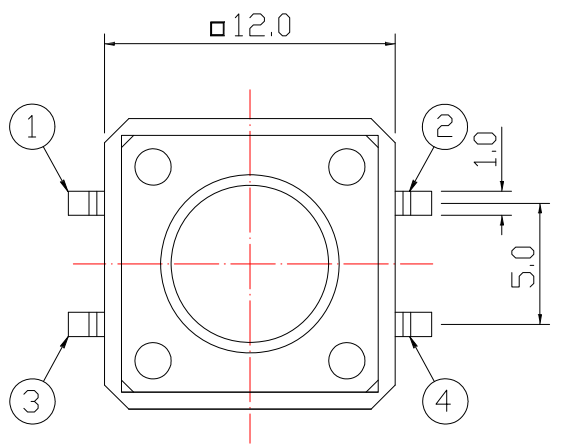


CIRCUIT DIAGRAM



PCB LAYOUT MOUNTING PATTERN

MODEL NO.	TS-A03S	TS-A03SB	TS-A03SD
L (mm)	4.3	7.5	12.0
φA (mm)	6.8	6.7	6.0

SPECIFICATIONS

Rating	DC 12V 50mA		
Contact Resistance	100mΩ Max.		
Travel	0.30 ± 0.15mm		
Operating Force	2 160±50gf	3	250±50gf
Operating Life(cycles)	100,000		

**CONTACT** 建倚科技股份有限公司  
CONTACT TECHNOLOGY CORP.

TOLERANCE UNLESS OTHERWISE STATED:  
 Up to 5 ±0.2  
 Above 5 ~ 15 ±0.3  
 Above 15 ~ 30 ±0.4  
 Above 30 ~ 50 ±0.5  
 Angle ±0.3

3RD. ANGEL'S  
 UNITS MM

DRAWN BY: Jack Lu  
 CHECKED BY: Jacky Chen  
 APPROVED BY: Tony Kao

DATE: 11/30/15  
 DATE: 11/30/15  
 DATE: 11/30/15

MAT'L  
 FINISH  
 SCALE: 1 : 1  
 SHEET NO.: 1 of 1  
 TITLE: SWITCH  
 MODLE: TACT SWITCH  
 DWG NO.: TS-A03Sx-x-S126  
 PART NO.: TS-A03Sx-x-S126  
 SIZE: A4  
 VER: R2

ITEM NO.	DESCRIPTION	DRAWN	DATE
2	更新料號	Jack	113015
1	更新Travel	Jack	060514