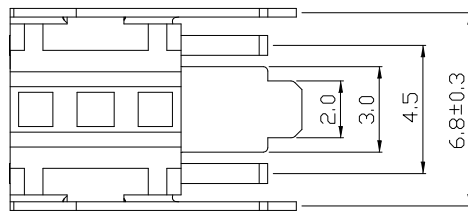
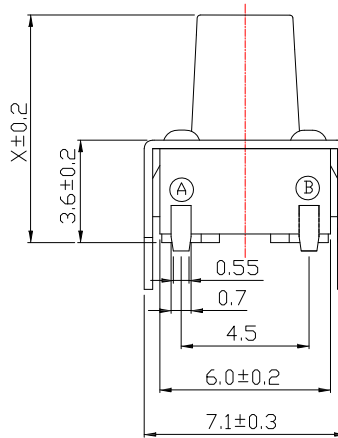
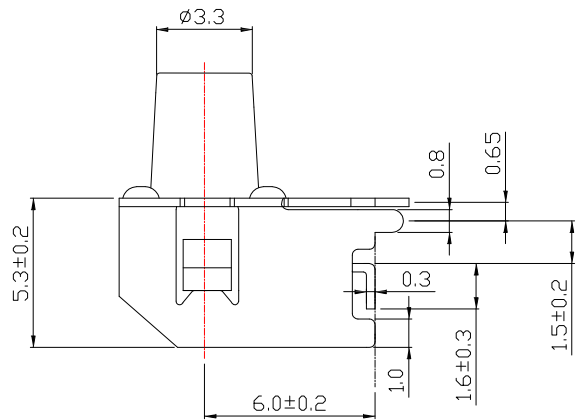


PCB LAYOUT



MODEL NO.	TS-A02VS2	TS-A02VS2A	TS-A02VS2AL	TS-A02VS2Q	TS-A02VS2B	TS-A02VS2C	TS-A02VS2D
X (mm)	4.30	5.00	5.50	6.00	7.00	8.00	9.50
A (mm)	3.40	3.40	3.40	3.40	3.40	3.40	3.00

SPECIFICATIONS

Rating	DC 12V 50mA
Contact Resistance	100mΩ Max.
Travel	0.25 ± 0.10mm
Operating Force	180±50gf
Operating Life(cycles)	100,000

NO.	DESCRIPTION	QTY	MATERIAL	PLATING
E	COVER	1	BRASS	Ni plated
D	STEM	1	PA46	Black
C	CONTACT	1	SUS	Ag plated
B	TERMINAL	2	BRASS	Ag plated
A	BASE	1	PA6T	Black

ITEM NO.	DESCRIPTION	DRAWN	DATE
3	更新材質	Jack	102423
2	更新圖面	Jack	112422
1	新增PIN編號和更新CIRCUIT DIAGRAM	Jack	091522

**CONTACT** 建倚科技股份有限公司  
CONTACT TECHNOLOGY CORP.

TOLERANCE UNLESS OTHERWISE STATED:  
 Up to 5 ±0.2  
 Above 5 ~ 15 ±0.3  
 Above 15 ~ 30 ±0.4  
 Above 30 ~ 50 ±0.5  
 Angle ±0.3°

3RD. ANGEL'S



UNITS MM

DRAWN BY: Jack Lu  
 CHECKED BY: Jacky Chen  
 APPROVED BY: Tony Kao

DATE: 10/24/23  
 DATE: 10/24/23  
 DATE: 10/24/23

MAT'L	TITLE	SWITCH
FINISH	MODLE	TACT SWITCH CH:6.0mm
SCALE	DWG NO.	TS-A02VS2x-2-S246
SHEET NO.	PART NO.	TS-A02VS2x-2-S246

SIZE: A4  
 VER: R3