

CIRCUIT DIAGRAM

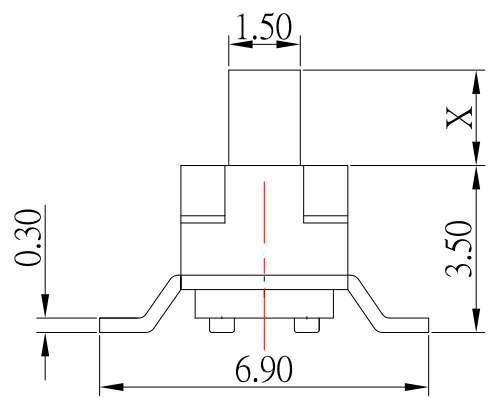
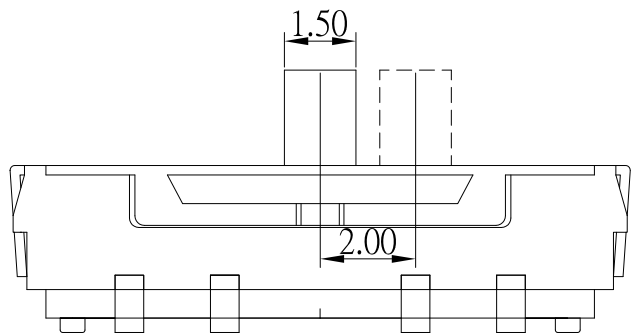
P.C.B LAND PATTERN

SS-F36S_x-x-S246

MODEL NO.	KNOB(X)	SLIDER COLOR :
SS-F36S	2.0 mm	Black : B
SS-F36SA	4.0 mm	White : Blank

SPECIFICATIONS

Rating	0.3A 6V DC
Insulation Resistance	50MΩ Min.
Dielectric Withstanding Voltage	AC 250 V(50Hz)1min
Contact Resistance	100mΩ Max.
Operating Force	230 ± 70gf
Operating Life	10,000 cycles



NO.	DESCRIPTION	QTY	MATERIAL	PLATING
E	TERMINAL	8	PHOSPHOR BRONZE	Ag plated
D	CLIP	2	COPPER	Ag plated
C	COVER	1	STAINLESS STEEL	
B	CASE	1	LCP	Black
A	SLIDER	1	PPA	Black

ITEM NO.	DESCRIPTION	DRAWN	DATE
4	新增SLIDER顏色選項	Jack	062315
3	更新料號及SLIDER顏色	Jack	060515
2	更新圖面位置及新增高度選項	Jack	121714
1	更新材質及SPEC	Jack	103113

CONTACT 建倚科技股份有限公司
CONTACT TECHNOLOGY CORP.

TOLERANCE UNLESS OTHERWISE STATED :
 Up to 5 ±0.2
 Above 5 ~ 15 ±0.3
 Above 15 ~ 30 ±0.4
 Above 30 ~ 50 ±0.5
 Angle ±0.3

3RD. ANGEL'S

UNITS MM

DRAWN BY:	DATE	MAT'L	TITLE	SWITCH
Jack Lu	06/23/15			
CHECKED BY:	DATE	FINISH	MODLE	SLIDE SWITCH
Jacky Chen	06/23/15			
APPROVED BY:	DATE	SCALE	DWG NO.	SS-F36S _x -x-S246
Tony Kao	06/23/15	1 : 1		
		SHEET NO.	PART NO.	SS-F36S _x -x-S246
		1 of 1		
			SIZE	A4
			VER	R4