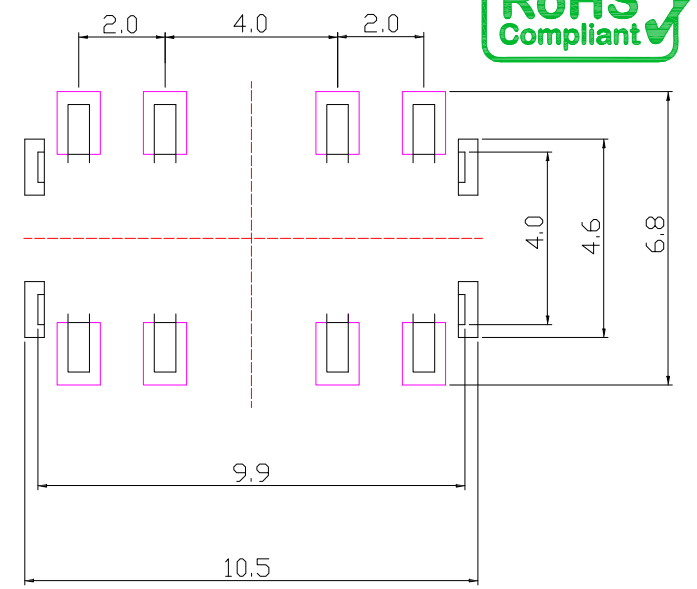


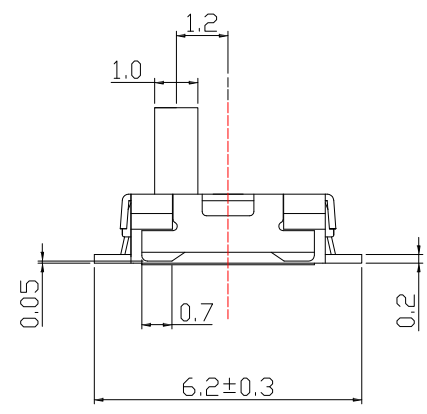
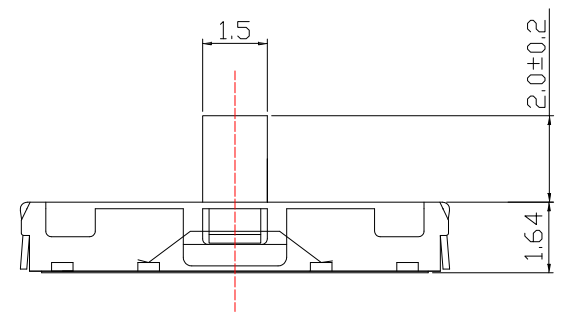
CIRCUIT DIAGRAM



P.C.B LAND PATTERN

SPECIFICATIONS

Rating	50mA , 12V DC
Insulation Resistance	50MΩ Min.
Dielectric Withstanding Voltage	AC 250 V min
Contact Resistance	100mΩ Max.
Operating Force	200 ± 70gf
Operating Life	10,000 cycles



NO.	DESCRIPTION	QTY	MATERIAL	PLATING
E	CLIP	2	PHOSPHOR BRONZE	Ag plated
D	TERMINAL	8	PHOSPHOR BRONZE	Ag plated
C	BASE	1	PA6T(White)	
B	COVER	1	SUS	Ni plated
A	SLIDER	1	PA46(Black)	

CONTACT 建倚科技股份有限公司
CONTACT TECHNOLOGY CORP.

TOLERANCE UNLESS OTHERWISE STATED:
 Up to 5 ±0.2
 Above 5 ~ 15 ±0.3
 Above 15 ~ 30 ±0.4
 Above 30 ~ 50 ±0.5
 Angle ±0.3°

3RD. ANGEL'S

UNITS MM

DRAWN BY:	DATE	MAT'L	TITLE	SWITCH
Jack Lu	07/27/21			
CHECKED BY:	DATE	FINISH	MODLE	SLIDE SWITCH 2P3T W/I GROUND TERMINAL
Jacky Chen	07/27/21			
APPROVED BY:	DATE	SCALE	DWG NO.	SS-C95GB-S246
Tony Kao	07/27/21	1 : 1		
		SHEET NO.	PART NO.	SS-C95GB-S246
		1 of 1		
			SIZE	A4
			VER	R1

ITEM NO.	DESCRIPTION	DRAWN	DATE
1	更新圖面	Jack	072721