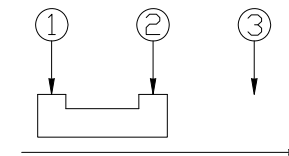




SS-B45x-B-S246

Model No.	X (mm)
SS-B45	2.0
SS-B45A	3.0
SS-B45C	4.0



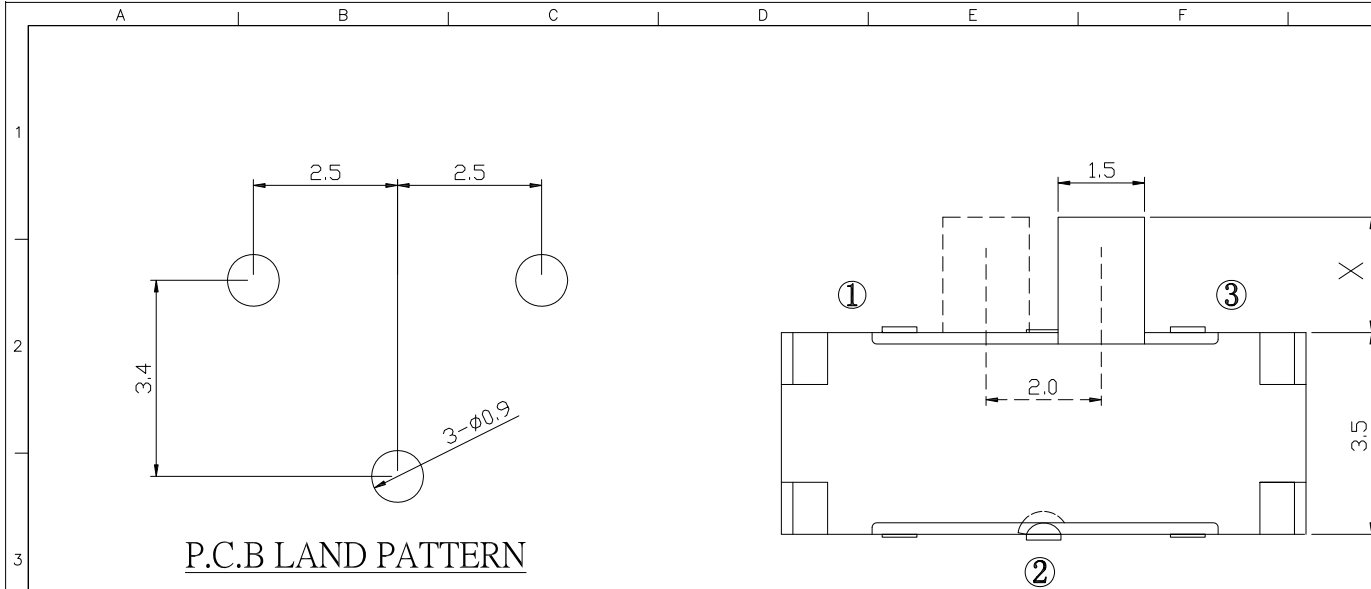
CIRCUIT DIAGRAM

SPECIFICATIONS

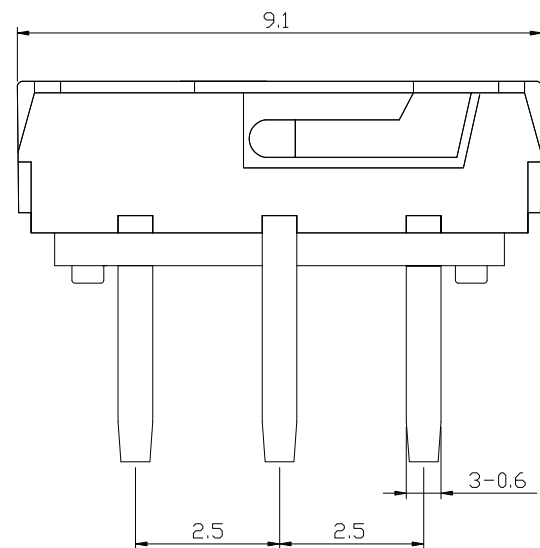
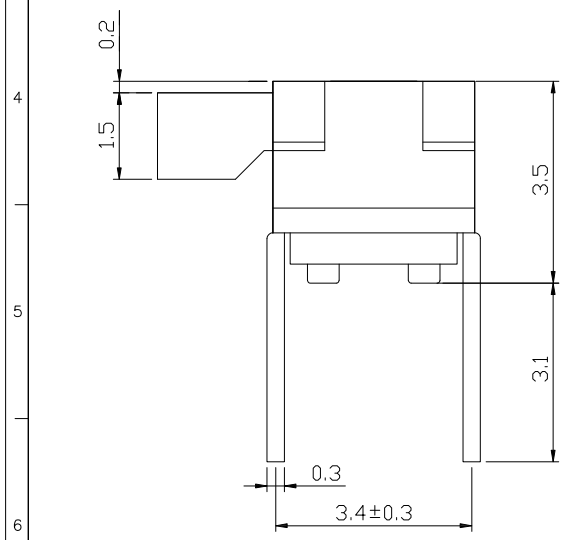
Rating	0.3A 6V DC
Insulation Resistance	50MΩ Min.
Dielectric Withstanding Voltage	AC 250 V(50Hz)1min
Contact Resistance	100mΩ Max.
Operating Force	200 ± 50gf
Operating Life	10,000 cycles

NO.	DESCRIPTION	QTY	MATERIAL	PLATING
E	TERMINAL	3	PHOSPHOR BRONZE	Ag plated
D	CLIP	1	PHOSPHOR BRONZE	Ag plated
C	COVER	1	SUS	
B	CASE	1	PA46	Black
A	SLIDER	1	PA46	Black

NO.	DESCRIPTION	QTY	MATERIAL	PLATING	SIZE
					A4
					VER
					R1



P.C.B LAND PATTERN



CONTACT 建倚科技股份有限公司
CONTACT TECHNOLOGY CORP.

TOLERANCE UNLESS OTHERWISE STATED:

Up to 5	±0.2
Above 5 ~ 15	±0.3
Above 15 ~ 30	±0.4
Above 30 ~ 50	±0.5
Angle	±0.3°

3RD. ANGEL'S UNITS MM

DRAWN BY: Jack Lu
 CHECKED BY: Jacky Chen
 APPROVED BY: Tony Kao

DATE: 04/09/21
 DATE: 04/09/21
 DATE: 04/09/21

MAT'L
 FINISH
 SCALE: 1 : 1
 SHEET NO.: 1 of 1

TITLE: SWITCH
 MODLE: SLIDE SWICHT
 DWG NO.: SS-B45x-B-S246
 PART NO.: SS-B45x-B-S246

ITEM NO.	DESCRIPTION	DRAWN	DATE
1	新增柄長選項	Jack	040921