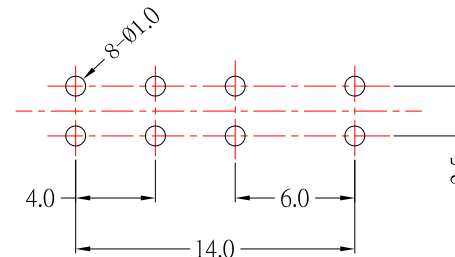
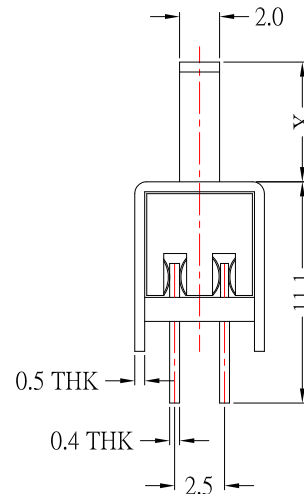
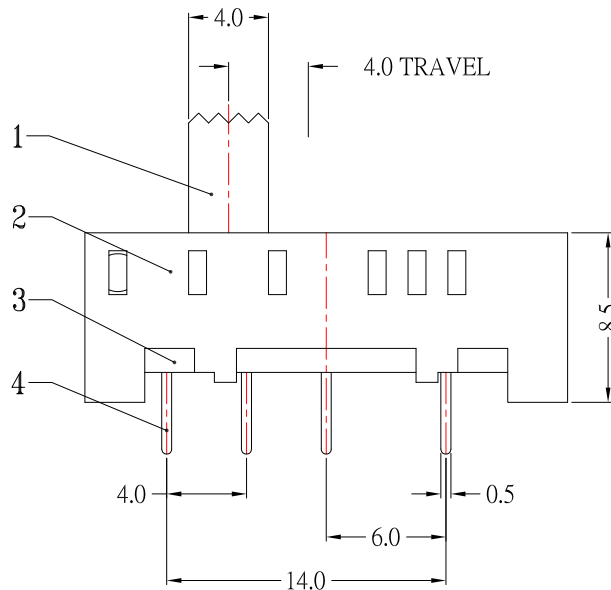


SCHMATIC



P.C.B MOUNTING PATTERN

Model No.	X(mm)
SS-23H06-G2	2mm
SS-23H06-G3	3mm
SS-23H06-G4	4mm
SS-23H06-G5	5mm
SS-23H06-G6	6mm
SS-23H06-G7	7mm
SS-23H06-G8	8mm
SS-23H06-G9	9mm
SS-23H06-G10	10mm



SPECIFICATIONS

Rating	DC 30V 0.3A
Contact Resistance	200mΩ Max.
Insulation Resistance	100MΩ Min.
Operating Life (cycles)	10,000

7	STEEL BALL	1	STEEL	Natural
6	SPRING	1	STEEL	Natural
5	CONTACT CLIP	2	PHOSPHOR BRONZE	Ag-Plated
4	TERMINAL	8	BRASS	Ag-plated over Ni plated
3	BASE	1	PHENOLIC RESIN	Natural
2	FRAME	1	STEEL	Ni-Plated
1	KNOB	1	POM	Black
NO.	DESCRIPTION	QTY	MATERIAL	REMARK

CONTACT 建倚科技股份有限公司
CONTACT TECHNOLOGY CORP.

TOLERANCE UNLESS OTHERWISE STATED:
 Up to 5 ±0.2
 Above 5 ~ 15 ±0.3
 Above 15 ~ 30 ±0.4
 Above 30 ~ 50 ±0.5
 Angle ±0.3°

3RD. ANGEL'S

UNITS MM

DRAWN BY:	DATE	MAT'L	TITLE	SWITCH
Jack Lu	12/30/15			
CHECKED BY:	DATE	FINISH	MODLE	SLIDE SWITCH
Jacky Chen	12/30/15			
APPROVED BY:	DATE	SCALE	DWG NO.	SS-23H06-Gx-S191
Tony Kao	12/30/15	1 : 1		
		SHEET NO.	PART NO.	SS-23H06-Gx-S191
		1 of 1		
				SIZE A4
				VER R1