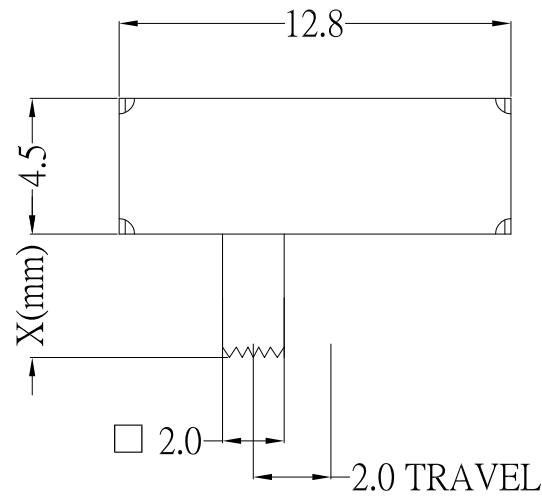
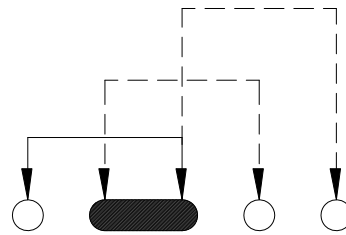




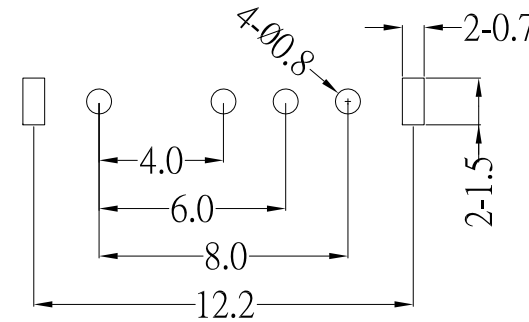
### DIMNSIONS



### SCHEMATIC



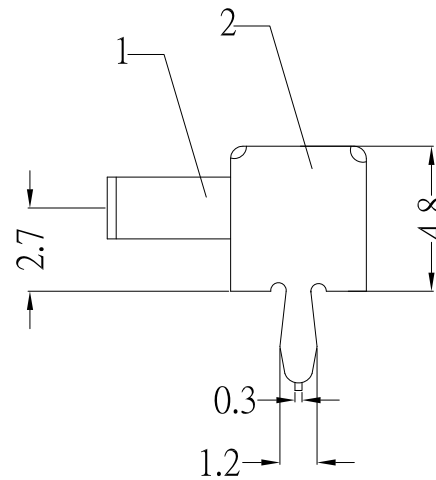
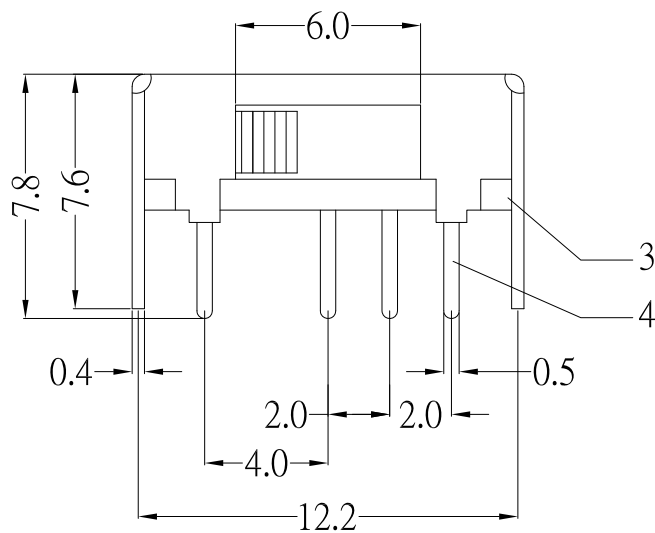
### P.C.B MOUNTING PATTERN



Model No.	X(mm)
SK-13D01-G2	2mm
SK-13D01-G3	3mm
SK-13D01-G4	4mm
SK-13D01-G5	5mm
SK-13D01-G6	6mm
SK-13D01-G7	7mm
SK-13D01-G8	8mm
SK-13D01-G9	9mm

### SPECIFICATIONS

Rating	DC 50V 0.3A
Circuit	1P - 3T
Timing	Shorting
Contact Resistance	200mΩ Max.
Insulation Resistance	100MΩ Min.
Operating Force	250gf ±100gf
Operating Life (cycles)	10,000



NO.	DESCRIPTION	QTY	MATERIAL	REMARK
6	CONTACT CLIP	1	PHOSPHOR BRONZE	Ag-Plated
5	SPRING	1	STAINLESS STEEL	
4	TERMINAL	4	BRASS	Ag-Plated
3	BASE	1	PHENOLIC RESIN	Natural
2	FRAME	1	SPCC	Ni-Plated
1	KNOB	1	POM	Black

**CONTACT** 建倚科技股份有限公司  
CONTACT TECHNOLOGY CORP.

TOLERANCE UNLESS OTHERWISE STATED:  
 Up to 5 ±0.2  
 Above 5 ~ 15 ±0.3  
 Above 15 ~ 30 ±0.4  
 Above 30 ~ 50 ±0.5  
 Angle ±0.3°

3RD. ANGEL'S

UNITS MM

DRAWN BY:	DATE	MAT'L	TITLE	SWITCH
Jack Lu	11/19/14			
CHECKED BY:	DATE	FINISH	MODLE	SLIDE SWITCH
Jacky Chen	11/19/14			
APPROVED BY:	DATE	SCALE	DWG NO.	SK-13D01-Gx-S191
Tony Kao	11/19/14	1 : 1		
		SHEET NO.	PART NO.	SK-13D01-Gx-S191
		1 of 1		
				SIZE A4
				VER A1

ITEM NO.	DESCRIPTION	DRAWN	DATE
3	更新Contact Resistance	Jack	111914
2	更新為AO版	Jack	091114
1	更新材質及鍍層	Jack	060313