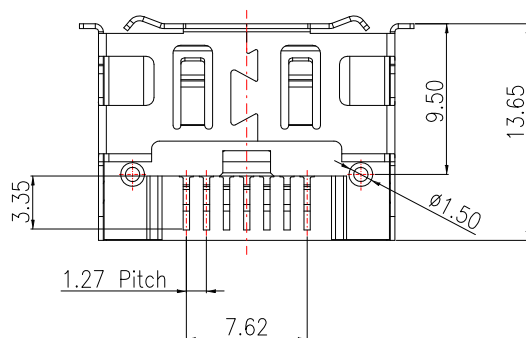
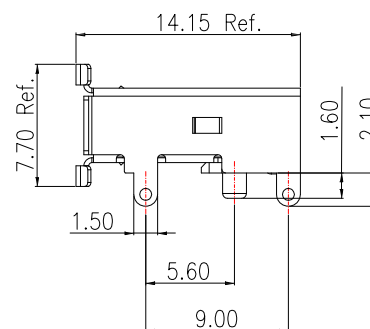
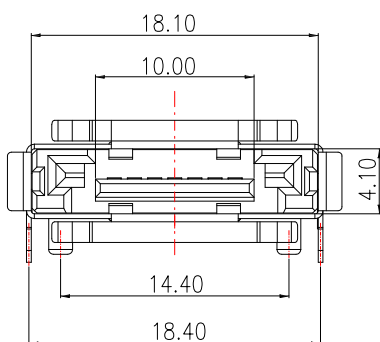


RECOMMENDED PCB LAYOUT



EST-M07-535S-x-S268

鍍層厚度:

Blank	: 1u"
2	: 15u"
3	: 30u"

SPECIFICATION:

1.MATERIAL:

HOUSING: LCP, UL 94V-0, Black.

CONTACT: BRASS

SHELL: BRASS

2.Finish:

Contact: Plated Gold in Mating Area ;

Tin Plated on Solder Balls ;

Nickel under plated overall

Shell: Nickel under Plated surface layer

**CONTACT** 建倚科技股份有限公司  
CONTACT TECHNOLOGY CORP.

TOLERANCE UNLESS OTHERWISE STATED:

Up to 5 ±0.2  
Above 5 ~ 15 ±0.3  
Above 15 ~ 30 ±0.4  
Above 30 ~ 50 ±0.5  
Angle ±0.3°

3RD. ANGEL'S



UNITS

MM

DRAWN BY: Jack Lu  
CHECKED BY: Jacky Chen  
APPROVED BY: Tony Kao

DATE: 11/18/13  
DATE: 11/18/13  
DATE: 11/18/13

MAT'L		TITLE	CONNECTOR
FINISH		MODLE	ESATA 7P Male Front R/A DIP TYPE
SCALE	1 : 1	DWG NO.	EST-M07-535S-x-S268
SHEET NO.	1 of 1	PART NO.	EST-M07-535S-x-S268

ITEM NO.	DESCRIPTION	DRAWN	DATE