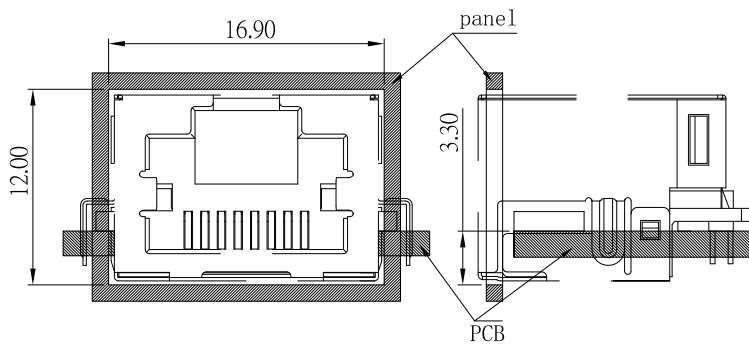
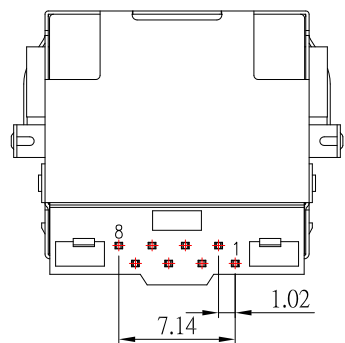
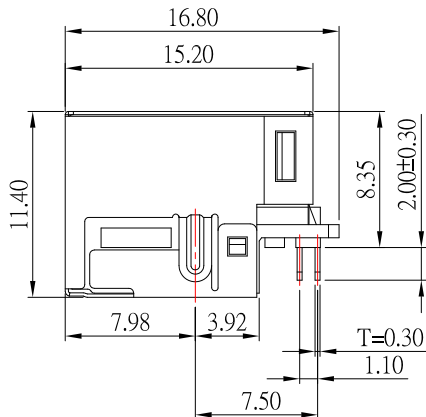
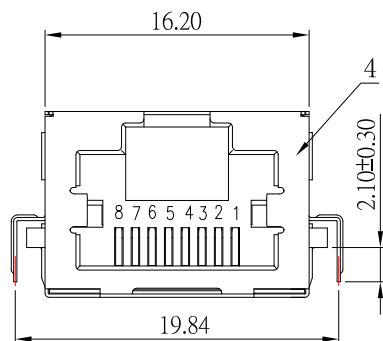
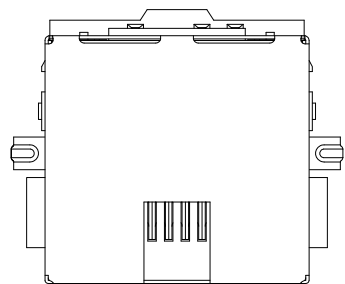




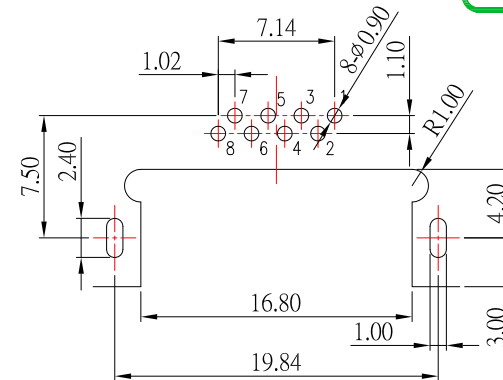
RJ45-41933-x-S118

鍍層厚度:

Blank	1u"
1	3u"
2	15u"
3	30u"
5	6u"



Recommended panel cutout.



P.C.B LAYOUT
TOP VIEW

NOTES:

ELECTRICAL:

1. VOLTAGE RATING :125 VAC RMS.
2. CURRENT RATING :1.5 AMP.
3. CONTACT RESISTANCE :30 MILLIOHMS MAX.
4. INSULATION RESISTANCE :1000 MEGOHMS MIN @ 500 VDC.
5. DIELECTRIC STRENGTH :1000 VDC RMS 60Hz, 1MIN.
6. OPERATING: 750 CYCLES MIN.

MATERIALS:

1. Housing: LCP BLACK
2. Cover: LCP BLACK
3. Shielding: Copper Alloy with Nickel Plated.
4. Contact: Phosphor Bronze gold Plating Over Nickel.

ENVIRONMENTAL:

1. STORAGE: -40° C TO +85° C.
2. OPERATION : -40° C TO +85° C.

CONTACT 建倚科技股份有限公司
CONTACT TECHNOLOGY CORP.

TOLERANCE UNLESS
OTHERWISE STATED :

Up to 5	±0.2
Above 5 ~ 15	±0.3
Above 15 ~ 30	±0.4
Above 30 ~ 50	±0.5
Angle	±0.3°

3RD.
ANGEL'S



UNITS MM

DRAWN BY:	DATE
Jack Lu	07/08/21
CHECKED BY:	DATE
Jacky Chen	07/08/21
APPROVED BY:	DATE
Tony Kao	07/08/21

MAT'L		TITLE	RJ45
FINISH		MODLE	RJ45
SCALE	1 : 1	DWG NO.	RJ45-41933-x-S118
SHEET NO.	2 of 1	PART NO.	RJ45-41933-x-S118
		SIZE	A4
		VER	R

ITEM NO.	DESCRIPTION	DRAWN	DATE