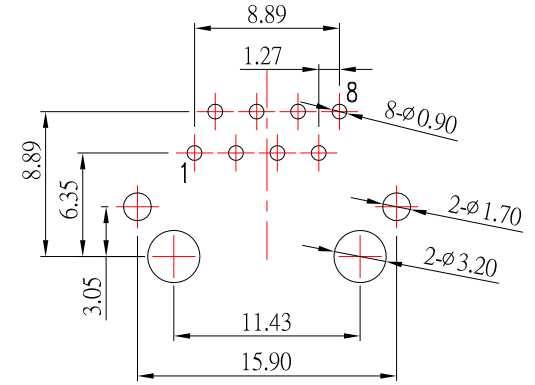


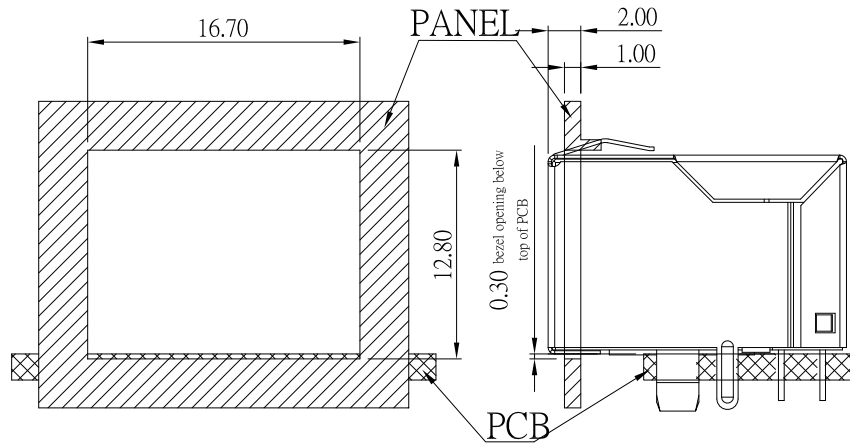
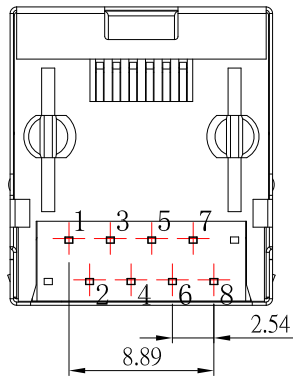
RJ45-41804-x-S118

鍍層厚度:

Blank	: 1u"
1	: 3u"
2	: 15u"
3	: 30u"
5	: 6u"
6	: 50u"



P.C.B LAYOUT



Recommended panel cutout

NOTE:

- 1.Housing:PA46, Black
- 2.Insert: PBT, Black
- 3.Contact: Phosphor Bronze, Gold Plating Over Nickel
- 4.Shielding: Copper Alloy,Nickel Plated

CONTACT 建倚科技股份有限公司
CONTACT TECHNOLOGY CORP.

TOLERANCE UNLESS OTHERWISE STATED :
Up to 5 ±0.2
Above 5 ~ 15 ±0.3
Above 15 ~ 30 ±0.4
Above 30 ~ 50 ±0.5
Angle ±0.3°

3RD. ANGEL'S



UNITS MM

DRAWN BY:	DATE	MAT'L	TITLE	RJ45
Jack Lu	06/22/21	FINISH	MODLE	RJ45
CHECKED BY:	DATE	SCALE	DWG NO.	RJ45-41804-x-S118
Jacky Chen	06/22/21	1 : 1	PART NO.	RJ45-41804-x-S118
APPROVED BY:	DATE	SHEET NO.	2 of 1	
Tony Kao	06/22/21			

ITEM NO.	DESCRIPTION	DRAWN	DATE
----------	-------------	-------	------