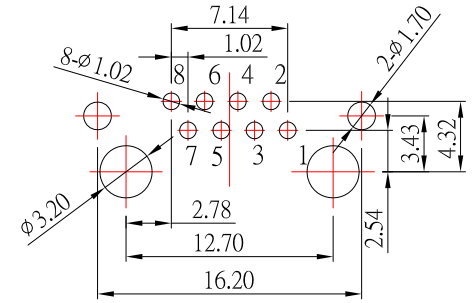




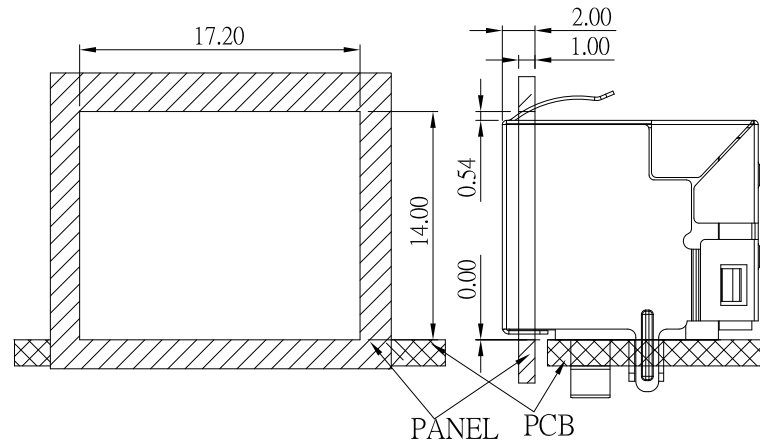
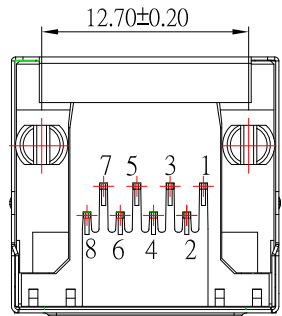
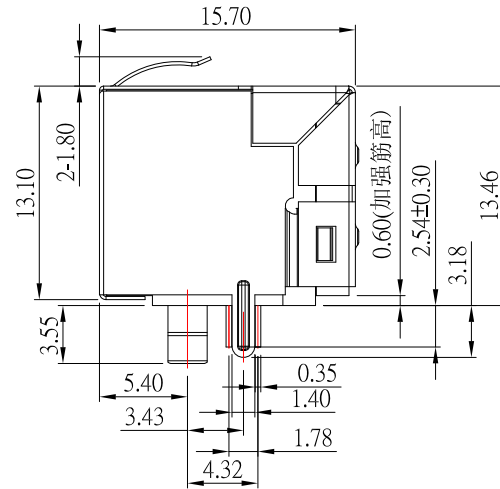
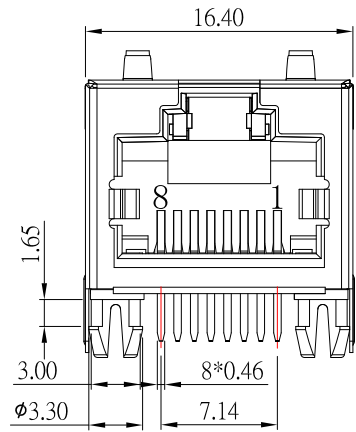
RJ45-41213-x-S118

鍍層厚度：

|       |      |
|-------|------|
| Blank | 1u"  |
| 1     | 3u"  |
| 2     | 15u" |
| 3     | 30u" |
| 5     | 6u"  |
| 6     | 50u" |



P.C.B LAYOUT



Recommended panel cutout

NOTE:

- 1.Housing:PA46, Black
- 2.Insert: PBT, Black
- 3.Contact: Phosphor Bronze, Gold Plating Over Nickel
- 4.Shielding: Brass,Nickel Plated

**CONTACT** 建倚科技股份有限公司  
CONTACT TECHNOLOGY CORP.

TOLERANCE UNLESS OTHERWISE STATED :  
 Up to 5 ±0.2  
 Above 5 ~ 15 ±0.3  
 Above 15 ~ 30 ±0.4  
 Above 30 ~ 50 ±0.5  
 Angle ±0.3°

3RD. ANGEL'S



UNITS MM

|              |          |           |          |                   |
|--------------|----------|-----------|----------|-------------------|
| DRAWN BY:    | DATE     | MAT'L     | TITLE    | RJ45              |
| Jack Lu      | 10/13/21 | FINISH    | MODLE    | RJ45              |
| CHECKED BY:  | DATE     | SCALE     | DWG NO.  | RJ45-41213-x-S118 |
| Jacky Chen   | 10/13/21 | 1 : 1     | PART NO. | RJ45-41213-x-S118 |
| APPROVED BY: | DATE     | SHEET NO. | 2 of 1   |                   |
| Tony Kao     | 10/13/21 |           |          |                   |

|          |             |       |        |
|----------|-------------|-------|--------|
| 1        | 更新材質        | Jack  | 101321 |
| ITEM NO. | DESCRIPTION | DRAWN | DATE   |