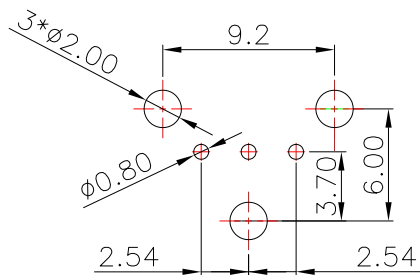
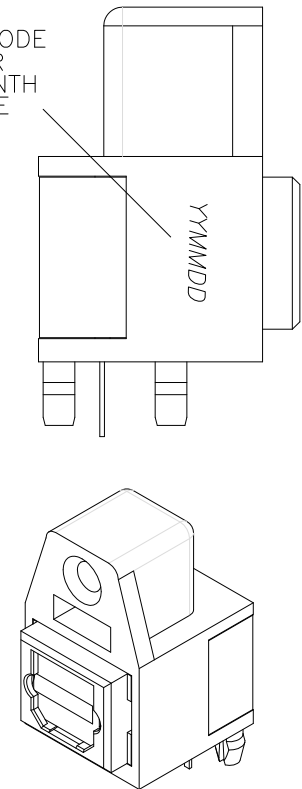
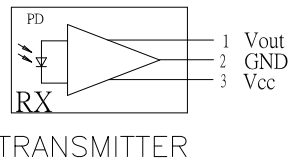


DATE CODE
YY:YEAR
MM:MONTH
DD:DATE



PCB LAYOUT
TOP VIEW

PIN FUNCTION
Pin1: GND
Pin2: Vcc
Pin3: Vin



6	POF	1	DLR1202	
5	SPRING	1	SUS	
4	SET	1	PA66	BLACK
3	BACK COVER	1	PA66	BLACK
2	SHUTTER	1	PA66	BLACK
1	HOUSING	1	PA66	BLACK
NO.	DESCRIPTION	QTY	MATERIAL	REMARK

CONTACT 建倚科技股份有限公司
CONTACT TECHNOLOGY CORP.

TOLERANCE UNLESS OTHERWISE STATED:

Up to 5 ±0.2
Above 5 ~ 15 ±0.3
Above 15 ~ 30 ±0.4
Above 30 ~ 50 ±0.5
Angle ±0.3

3RD. ANGEL'S



UNITS

MM

DRAWN BY: Jack Lu
CHECKED BY: Jacky Chen
APPROVED BY: Tony Kao

DATE: 08/29/17
DATE: 08/29/17
DATE: 08/29/17

MAT'L
FINISH
SCALE: 1 : 1
SHEET NO. 1 of 1

TITLE: JACK
MODLE: OPTICAL JACK 接收端
DWG NO.: OJ-402C-RX-S214
PART NO.: OJ-402C-RX-S214

SIZE: A4
VER: A0

ITEM NO.	DESCRIPTION	DRAWN	DATE
2	更新為A0版	Jack	082917
1	更新尺寸	Jack	062317