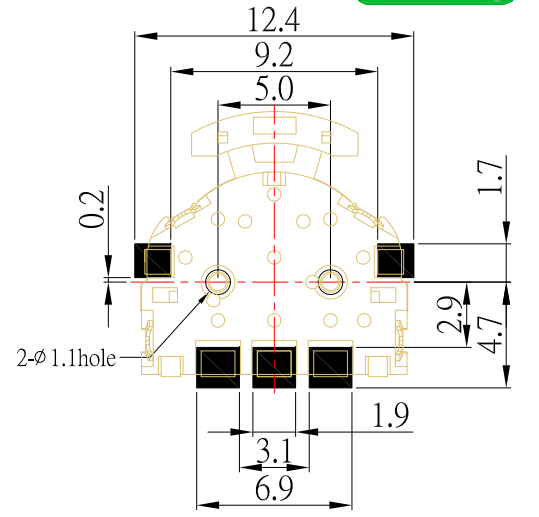
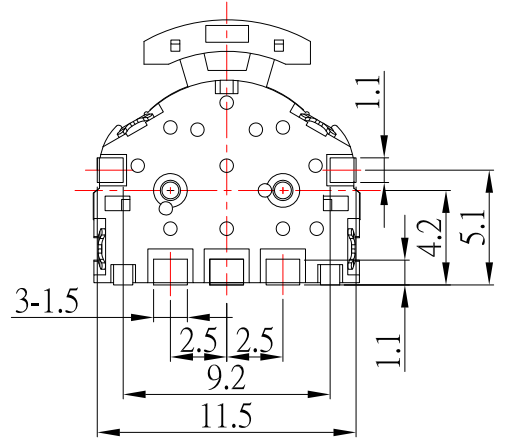
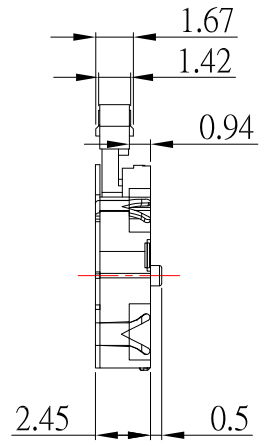
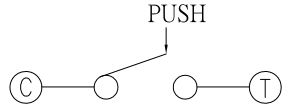
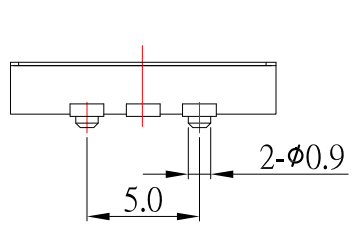


Push portion 0.9 Min.



P.C.B LAYOUT



CIRCUIT DIAGRAM

CODE TABLE < [shaded] = ON >

Angle	0°			
Terminal	(25)°	(18)°	(18)°	(25)°
①	[shaded]	[shaded]	[shaded]	[shaded]
②	[shaded]	[shaded]	[shaded]	[shaded]
③	[shaded]	[shaded]	[shaded]	[shaded]

CCW ← → CW

CODE TABLE

SPECIFICATIONS

Rating	DC 5V , 10mA
Output Voltage	1V Min, at 5V 1mA
Travel	Center : 0.9mm Min
Operating Force	Lever : 70 ± 50 gf
	Center: 200 ± 100 gf
Operating Life (cycles)	50,000

CONTACT 建倚科技股份有限公司
CONTACT TECHNOLOGY CORP.

TOLERANCE UNLESS OTHERWISE STATED :
 Up to 5 ±0.2
 Above 5 ~ 15 ±0.3
 Above 15 ~ 30 ±0.4
 Above 30 ~ 50 ±0.5
 Angle ±0.3°

3RD. ANGEL'S



UNITS MM

DRAWN BY: Jack Lu
 CHECKED BY: Jacky Chen
 APPROVED BY: Tony Kao

DATE: 03/18/24
 DATE: 03/18/24
 DATE: 03/18/24

MAT'L
 FINISH
 SCALE: 1 : 1
 SHEET NO.: 1 of 1

TITLE: SWITCH
 MODLE: LEVER PUSH SWITCH
 DWG NO.: K01C-S126
 PART NO.: K01C-S126

SIZE: A4
 VER: R1

ITEM NO.	DESCRIPTION	DRAWN	DATE
1	更新圖面	Jack	031824