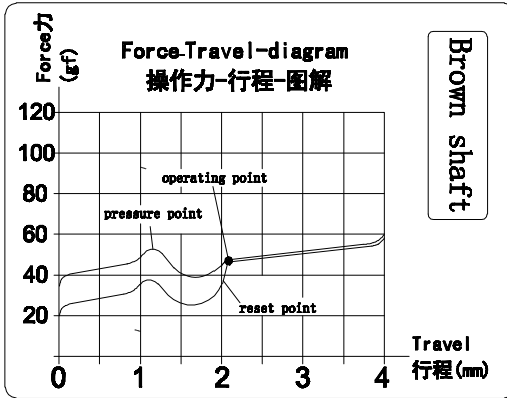
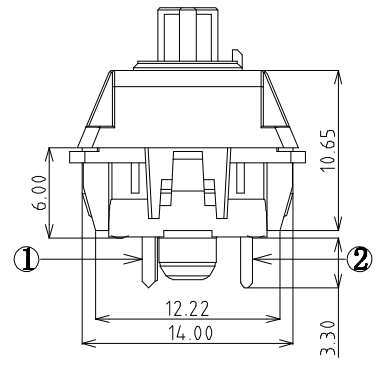
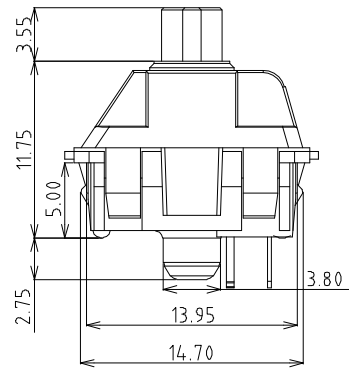
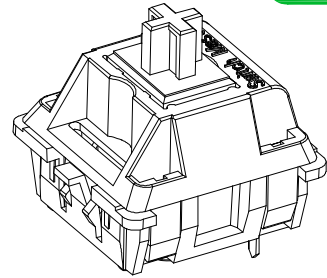
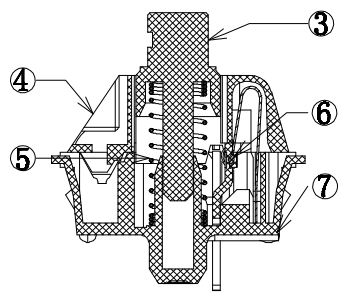
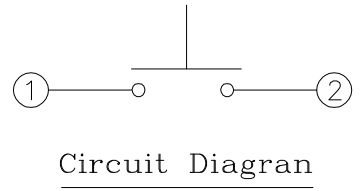
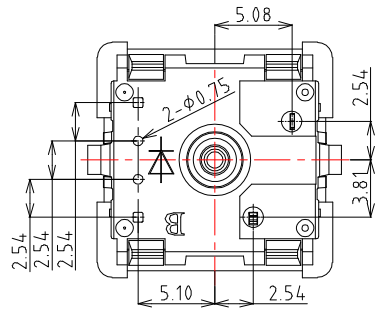


PCB Layout (Pattern Side)



- Specification :**
- Rating :12 VAC/DC max. 2 VDC min.
10mA AC/DC max. 10μA DC min.
 - Contact Resistance : 200mΩ Max
 - Insulation Resistance :100MΩ Min (DC100V)
 - Withstand Voltage :AC500V (50-60Hz) for 1 minute
 - Bounce Time: ≤5msec (at 16 in/sec. actuation speed)
 - Operation Force :45±15gf
 - Pressure Point Force :55±15gf
 - Pretravel:2.0mm±0.4mm
 - Total travel:4.0 -0.3mm
 - Operating Life :50,000,000 Cycles(min)



Circuit Diagram

⑦	Base	—	1	Nylon	Black	—
⑥	contact	—	2	Silver alloy	Brushing Gold	—
⑤	Spring	—	1	Stainless Steel	—	—
④	Cover	—	1	Nylon	Black	—
③	Keystroke	—	1	POM	Brown(2322C)	—
②	Terminal	—	1	Brass	Plating Nickel	—
①	Reed	—	1	Copper Alloy	—	—
ITEM	PART NAME	TER'NO.	QTY.	MATERIAL	FINISHING	REMARK

CONTACT 建倚科技股份有限公司
CONTACT TECHNOLOGY CORP.

TOLERANCE UNLESS OTHERWISE STATED :
Up to 5 ±0.2
Above 5 ~ 15 ±0.3
Above 15 ~ 30 ±0.4
Above 30 ~ 50 ±0.5
Angle ±0.3

3RD. ANGEL'S

UNITS MM

DRAWN BY:	DATE	MAT'L	TITLE	SWITCH
Jack Lu	12/16/15	FINISH	MODLE	Keyboard Switch / Brown Shaft
CHECKED BY:	DATE	SCALE	DWG NO.	KS-01T-45-S105
Jacky Chen	12/16/15	1 : 1	PART NO.	KS-01T-45-S105
APPROVED BY:	DATE	SHEET NO.	1 of 1	
Tony Kao	12/16/15			

ITEM NO.	DESCRIPTION	DRAWN	DATE