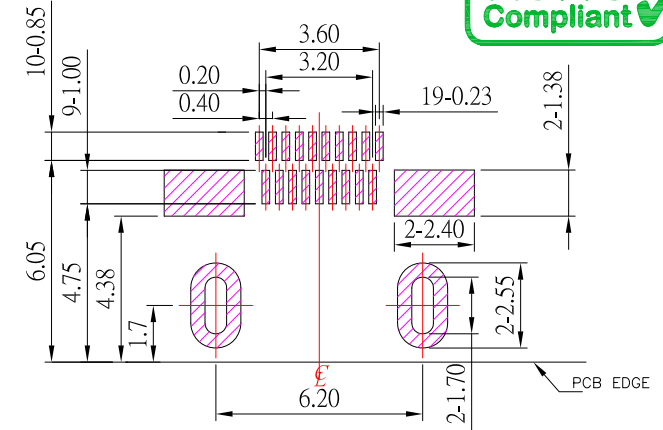
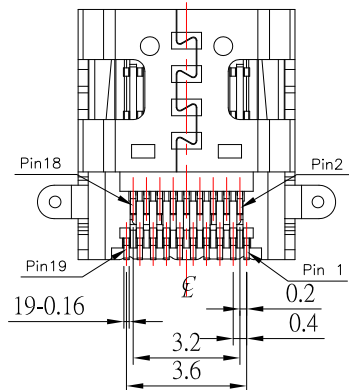
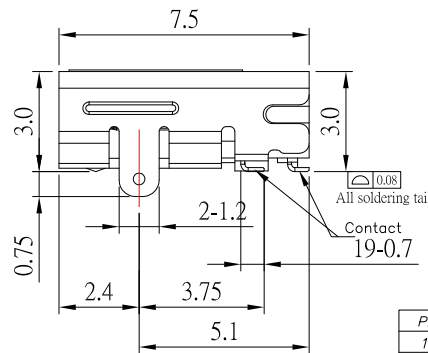
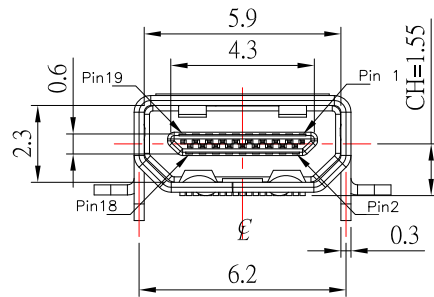


Receptacle and Plug Mated Condition



RECOMMENDED PCB LAYOUT (TOP VIEW)



### HDMI-D-19PSDAx-S165

鍍層厚度：  
Blank : 1u"  
2 : 15u"  
3 : 30u"

PIN	Signal Assignment
1	Hot Plug Detect
2	Utility
3	TMDS Data2+
4	TMDS Data2 Shield
5	TMDS Data2-
6	TMDS Data1+
7	TMDS Data1 Shield
8	TMDS Data1-
9	TMDS Data0+
10	TMDS Data0 Shield
11	TMDS Data0-
12	TMDS Clock+
13	TMDS Clock Shield
14	TMDS Clock-
15	CEC
16	DDC/CEC Ground
17	SCL
18	SDA
19	+5V Power

NOTE :

- SPECIFICATION:
  - CURRENT RATING: 0.3 A
  - CONTACT RESISTANCE: 30mΩ Max.
  - INSULATION RESISTANCE: 100MΩ Min.
  - DIELECTRIC WITHSTANDING VOLTAGE: AC 250V (for 1 minute)
  - OPERATION TEMPERATURE RANGE: -40°C~85°C
- Material:
  - Housing: LCP
  - Contact: Phosphor Bronze
  - Shell: Phosphor Bronze
- Finish:
  - Contact: Plated Gold in Mating Area ; Gold Plated on Solder Balls ; Nickel under plated overall
  - Shell: Nickel under Plated surface layer

ITEM NO.	DESCRIPTION	DRAWN	DATE
4	更新外觀鍍層	Jack	072720
3	更新料號	Jack	071620
2	更新圖面	Jack	071520
1	更新pin位置	Jack	111113

**CONTACT** 建倚科技股份有限公司  
CONTACT TECHNOLOGY CORP.

TOLERANCE UNLESS OTHERWISE STATED:  
Up to 5 ±0.2  
Above 5 ~ 15 ±0.3  
Above 15 ~ 30 ±0.4  
Above 30 ~ 50 ±0.5  
Angle ±0.3

3RD. ANGEL'S

UNITS MM

DRAWN BY:	DATE	MAT'L	TITLE	CONNECTOR
Jack Lu	07/27/20	FINISH	MODLE	HDMI D TYPE 外殼 前插後貼
CHECKED BY:	DATE	SCALE	DWG NO.	HDMI-D-19PSDAx-S165
Jacky Chen	07/27/20	SHEET NO.	PART NO.	HDMI-D-19PSDAx-S165
APPROVED BY:	DATE	SIZE	VER	
Tony Kao	07/27/20	A4	R4	