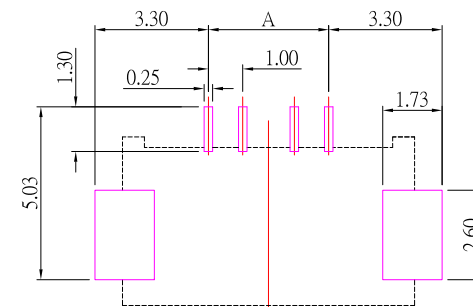
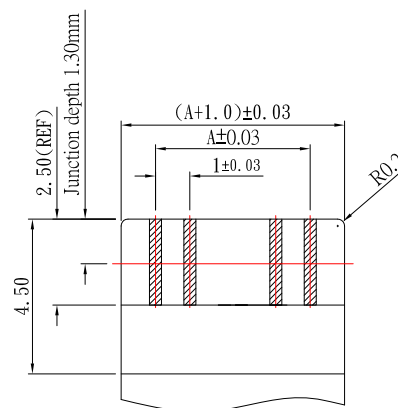
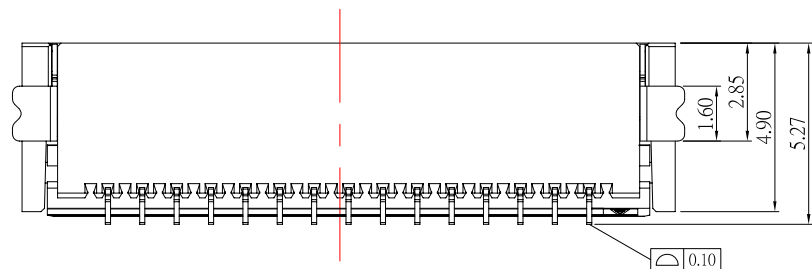
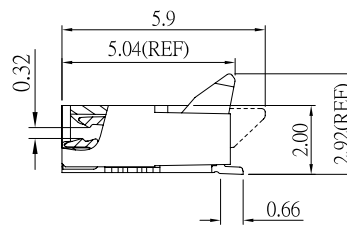
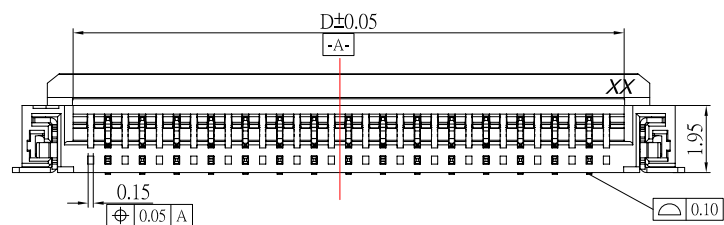


NO. DIM POSITIONS	A	B	C	D
4	3.00	8.00	8.55	5.05
5	4.00	9.00	9.55	6.05
6	5.00	10.00	10.55	7.05
7	6.00	11.00	11.55	8.05
8	7.00	12.00	12.55	9.05
10	9.00	14.00	14.55	11.05
12	11.00	16.00	16.55	13.05
15	14.00	19.00	19.55	16.05
22	21.00	26.00	26.55	23.05



RECOMMENDED PCB LAYOUT



RECOMMENDED FFC/FPC

SPECIFICATIONS

Electrical Characteristics:

- 1.1 Rating: 0.5 A, 50V(AC/DC)
- 1.2 Temperature range: -40°C~+85°C
- 1.3 Withstand Voltage: 250V AC
- 1.4 Contact Resistance: 30mΩ MAX
- 1.5 Insulation resistance: 500 MΩ MIN

Material:

- 1.1 Housing: LCP
- 1.2 Contact: Phosphor Bronze, Tin Plated over Nickel
- 1.3 Atator: Brass, Tin Plated over Nickel

ITEM NO.	DESCRIPTION	DRAWN	DATE
3	更新圖面	Jack	070320
2	更新PCB LAYOUT尺寸	Jack	100819
1	更新尺寸標示	Jack	092618

**CONTACT** 建倚科技股份有限公司  
**CONTACT TECHNOLOGY CORP.**

TOLERANCE UNLESS OTHERWISE STATED:

Up to 5 ±0.2  
Above 5 ~ 15 ±0.3  
Above 15 ~ 30 ±0.4  
Above 30 ~ 50 ±0.5  
Angle ±0.3°

3RD. ANGEL'S



UNITS MM

DRAWN BY:	DATE	MAT'L	TITLE	CONNECTOR
Jack Lu	07/03/20		MODLE	1.0 FPC 雙接90度 SMT 後掀蓋
CHECKED BY:	DATE	FINISH	DWG NO.	FPC10D-20xx-C-S304
Jacky Chen	07/03/20		SCALE	1 : 1
APPROVED BY:	DATE	SHEET NO.	PART NO.	FPC10D-20xx-C-S304
Tony Kao	07/03/20	1 of 1		

SIZE
A4
VER
R3