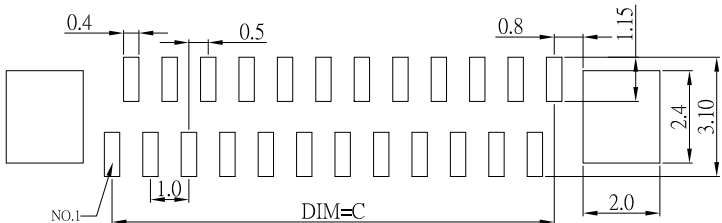
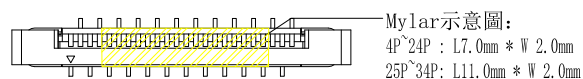
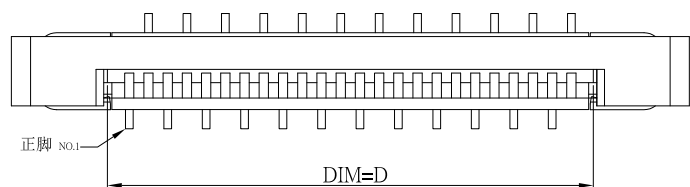
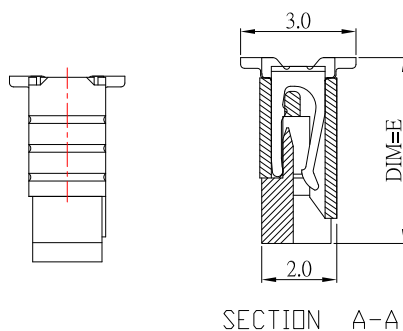
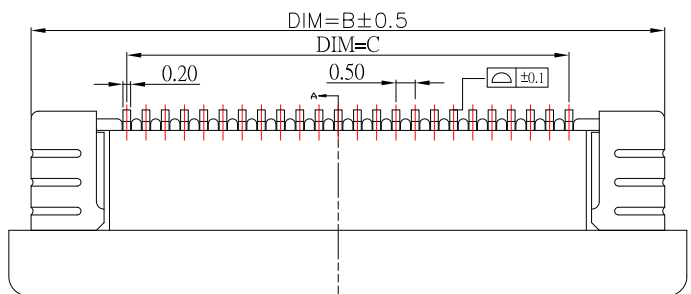


RECOMMENDED FFC/FPC DIM.



RECOMMENDED PCB LAYOUT

PIN NO.	Dimensions				
	A	B	C	D	E
4	7.6	6.5	1.5	2.6	4.4
5	8.1	7.0	2.0	3.1	
6	8.6	7.5	2.5	3.6	
7	9.1	8.0	3.0	4.1	
8	9.6	8.5	3.5	4.6	
9	10.1	9.0	4.0	5.1	
10	10.6	9.5	4.5	5.6	
11	11.1	10.0	5.0	6.1	
12	11.6	10.5	5.5	6.6	
13	12.1	11.0	6.0	7.1	
14	12.6	11.5	6.5	7.6	
15	13.1	12.0	7.0	8.1	
16	13.6	12.5	7.5	8.6	
17	14.1	13.0	8.0	9.1	
18	14.6	13.5	8.5	9.6	
19	15.1	14.0	9.0	10.1	
20	15.6	14.5	9.5	10.6	
21	16.1	15.0	10.0	11.1	
22	16.6	15.5	10.5	11.6	
23	17.1	16.0	11.0	12.1	
24	17.6	16.5	11.5	12.6	
25	18.1	17.0	12.0	13.1	
26	18.6	17.5	12.5	13.6	
27	19.1	18.0	13.0	14.1	
28	19.6	18.5	13.5	14.6	
29	20.1	19.0	14.0	15.1	
30	20.6	19.5	14.5	15.6	
31	21.1	20.0	15.0	16.1	
32	21.6	20.5	15.5	16.6	
33	22.1	21.0	16.0	17.1	
34	22.6	21.5	16.5	17.6	

Material:

- 1.1 Housing: LCP
- 1.2 Slider: LCP
- 1.2 Contact: Phosphor Bronze, Tin Plating Nickel overall
- 1.3 Fitting Nail: Brass, Tin Plating over Nickel

ITEM NO.	DESCRIPTION	DRAWN	DATE
5	更新Mylar尺寸	Jack	052422
4	新增PCB LAYOUT標示	Jack	012120
3	新增Mylar	Jack	052719
2	更新PIN 選項及FFC更新	Jack	082218
1	更新PIN 選項	Jack	050418

CONTACT 建倚科技股份有限公司
CONTACT TECHNOLOGY CORP.

TOLERANCE UNLESS OTHERWISE STATED:
 Up to 5 ±0.2
 Above 5 ~ 15 ±0.3
 Above 15 ~ 30 ±0.4
 Above 30 ~ 50 ±0.5
 Angle ±0.3°

3RD. ANGEL'S

UNITS MM

DRAWN BY:	DATE	MAT'L	TITLE	CONNECTOR
Jack Lu	05/24/22	FINISH	MODLE	0.5 FPC 立式正腳位
CHECKED BY:	DATE	SCALE	DWG NO.	FPC05S1-44xx-A-S304
Jacky Chen	05/24/22	1 : 1	PART NO.	FPC05S1-44xx-A-S304
APPROVED BY:	DATE	SHEET NO.	1 of 1	
Tony Kao	05/24/22			

SIZE A4
VER R5