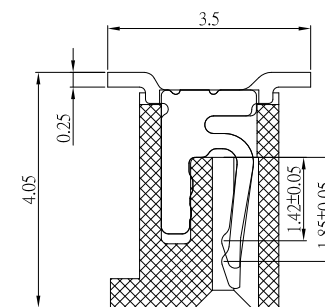
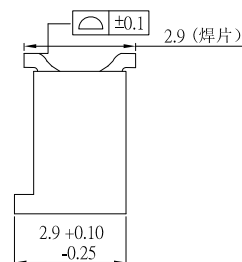
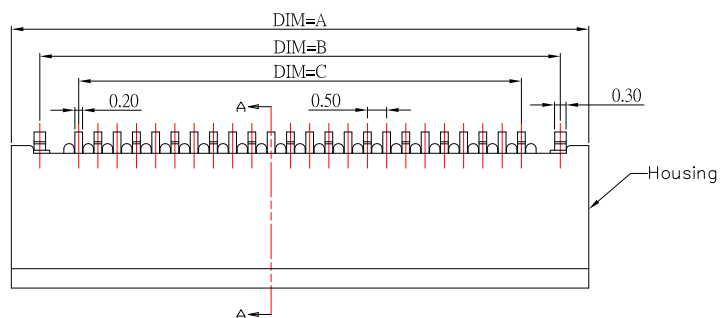
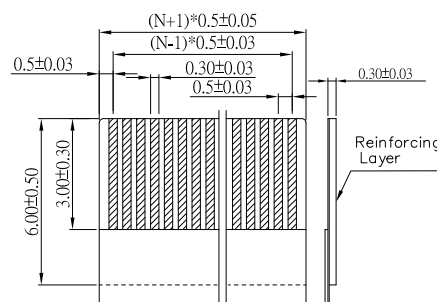
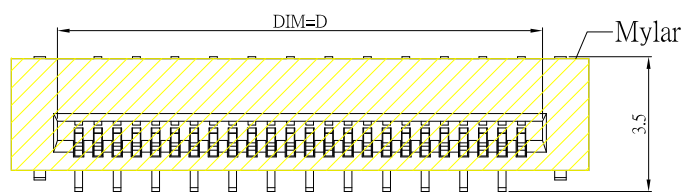


RECOMMENDED PCB LAYOUT

PIN数	DIM=A	DIM=B	DIM=C	DIM=D
48P	27.00	25.50	23.50	24.60
45P	25.50	24.00	22.00	23.10
44P	25.00	23.50	21.50	22.60
42P	24.00	22.50	20.50	21.60
40P	23.00	21.50	19.50	20.60
32P	19.00	17.50	15.50	16.60
30P	18.00	16.50	14.50	15.60
28P	17.00	15.50	13.50	14.60
26P	16.00	14.50	12.50	13.60
24P	15.00	13.50	11.50	12.60
22P	14.00	12.50	10.50	11.60
20P	13.00	11.50	9.50	10.60
18P	12.00	10.50	8.50	9.60
16P	11.00	9.50	7.50	8.60
14P	10.00	8.50	6.50	7.60
12P	9.00	7.50	5.50	6.60
10P	8.00	6.50	4.50	5.60
9P	7.50	6.00	4.00	5.10
8P	7.00	5.50	3.50	4.60
6P	6.00	4.50	2.50	3.60
4P	5.00	3.50	1.50	2.60



SECTION A-A



RECOMMENDED FFC/FPC DIM.

SPECIFICATIONS

Electrical Characteristics:

- 1.1 Voltage rating: 50V AC / DC
- 1.2 Current rating: 0.4A AC / DC
- 1.3 Temperature range: -25°C~+85°C
- 1.4 Withstand Voltage: 200V AC / Minute
- 1.5 Contact Resistance: 20mΩ MAX
- 1.6 Insulation resistance: 500MΩ MIN

Material:

- 1.1 Housing: LCP
- 1.2 Contact: Phosphor Bronze, Tin Plated over Nickel
- 1.3 Leg: Brass, Tin Plated over Nickel

12	更新俯視圖腳長度	Jack	031124
11	更新PCB LAYOUT尺寸	Jack	051823
10	新增尺寸選項和更新材質	Jack	051623
9	更新零件底部圖面	Jack	021522
7	更新樣式	Jack	010322
6	新增尺寸	Jack	092920
5	新增Mylar	Jack	052719
4	更新圖面	Jack	082218
3	更新PIN選項	Jack	030718
2	更新PIN選項	Jack	011818
1	更新圖面	Jack	072816
ITEM NO.	DESCRIPTION	DRAWN	DATE

CONTACT 建倚科技股份有限公司
CONTACT TECHNOLOGY CORP.

TOLERANCE UNLESS OTHERWISE STATED

Up to 5 ±0.2
Above 5 ~ 15 ±0.3
Above 15 ~ 30 ±0.4
Above 30 ~ 50 ±0.5
Angle ±0.3°

3RD. ANGEL'S



UNITS

MM

DRAWN BY: Jack Lu
CHECKED BY: Jacky Chen
APPROVED BY: Tony Kao

DATE: 03/11/24
DATE: 03/11/24
DATE: 03/11/24

MAT'L
FINISH
SCALE: 1 : 1
SHEET NO.

TITLE: CONNECTOR
MODLE: FPC 直立式 SMT H:4.0mm
DWG NO.: FPC05S1-40xx-N-S304
PART NO.: FPC05S1-40xx-N-S304

SIZE: A4
VER: R11