

NOTES:

1. MATERIAL:

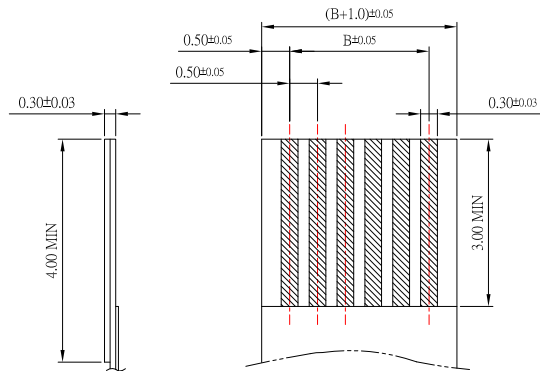
- 1.1 HOUSING: LCP,UL 94-V0,COLOR:WHITE
- 1.2 COVER: LCP,UL 94-V0,COLOR:BLACK
- 1.3 CONTACT: PHOSPHOR BRONZE
- 1.4 LEG: BRASS

2. PLATING:

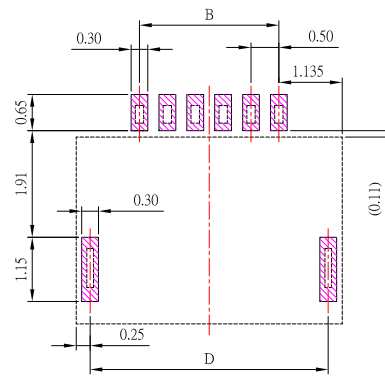
- 2.1 CONTACT: GOLD OR TIN PLATED ON NICKEL OVERALL
- 2.2 LEG: TIN PLATED ON NICKEL OVERALL

3. RATING:

- 3.1 CURRENT RATING: 0.4A AC/DC
- 3.2 VOLTAGE RATING: 50V AC/DC
- 3.3 TEMPERATURE RANGE: -55°C~+85°C



Applicable FPC



RECOMMEND PCB LAYOUT

PIN NO.	DIM. A	DIM. B	DIM. C	DIM. D
04	3.77	1.50	2.60	3.27
06	4.77	2.50	3.60	4.27
08	5.77	3.50	4.60	5.27
09	6.27	4.00	5.10	5.77
10	6.77	4.50	5.60	6.27
12	7.77	5.50	6.60	7.27
14	8.77	6.50	7.60	8.27
15	9.27	7.00	8.10	8.77
16	9.77	7.50	8.60	9.27
18	10.77	8.50	9.60	10.27
20	11.77	9.50	10.60	11.27
22	12.77	10.50	11.60	12.27
24	13.77	11.50	12.60	13.27
26	14.77	12.50	13.60	14.27
28	15.77	13.50	14.60	15.27
30	16.77	14.50	15.60	16.27
32	17.77	15.50	16.60	17.27
36	19.77	17.50	18.60	19.27
40	21.77	19.50	20.60	21.27

ITEM NO.	DESCRIPTION	DRAWN	DATE
7	更新PIN選項	Jack	072020
6	更新COVER顏色	Jack	032020
5	更新PIN選項	Jack	031120
4	新增尺寸公差	Jack	030520
3	新增插入深度尺寸	Jack	081117
2	更新PIN選項	Jack	060617
1	更新材質和更新為A0版	Jack	010716

**CONTACT** 建倚科技股份有限公司  
**CONTACT TECHNOLOGY CORP.**

TOLERANCE UNLESS OTHERWISE STATED:  
 Up to 5 ±0.2  
 Above 5 ~ 15 ±0.3  
 Above 15 ~ 30 ±0.4  
 Above 30 ~ 50 ±0.5  
 Angle ±0.3°

3RD. ANGEL'S



UNITS

MM

DRAWN BY:	DATE	MAT'L	TITLE	CONNECTOR
Jack Lu	07/20/20			
CHECKED BY:	DATE	FINISH	MODLE	0.5mm FPC H:1.0mm 掀蓋
Jacky Chen	07/20/20			
APPROVED BY:	DATE	SCALE	DWG NO.	FPC05L-10xx-B-S304
Tony Kao	07/20/20	1 : 1	PART NO.	FPC05L-10xx-B-S304
		SHEET NO.	1 of 1	SIZE A4
				VER R7