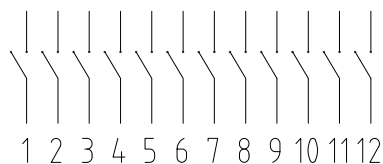
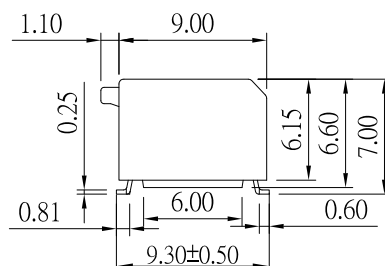
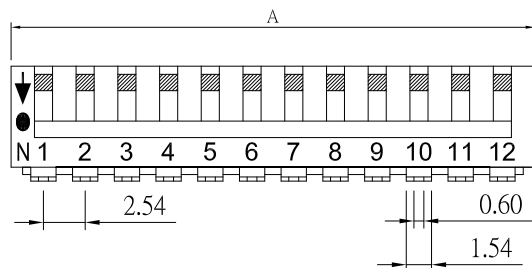
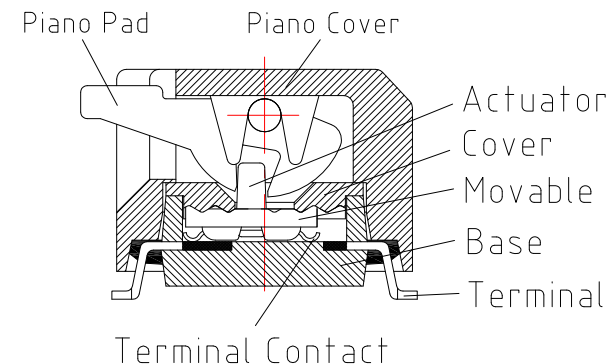


P.C.B LAYOUT MOUNTING PATTERN



SCHMATIC

Part Name	Material	Finished
Piano Pad	PA46 UL94 V0	White
Piano Cover	PPS UL94 V0	Black
Base	PPS UL94 V0	Black
Cover	PPS UL94 V0	Black
Actuator	PA46 UL94 V0	White
Movable	Phosphor Bronze	Gold
Terminal Contact	Brass	Gold
Terminal	Brass	Gold

Poles(N)	A (mm)
02	6.48
03	9.02
04	11.56
05	14.10
06	16.64
07	19.18
08	21.72
09	24.26
10	26.80
12	31.88



建倚科技股份有限公司  
CONTACT TECHNOLOGY CORP.

TOLERANCE UNLESS OTHERWISE STATED:  
Up to 5 ±0.2  
Above 5 ~ 15 ±0.3  
Above 15 ~ 30 ±0.4  
Above 30 ~ 50 ±0.5  
Angle ±0.3

3RD. ANGEL'S



UNITS MM

DRAWN BY: Jack Lu  
CHECKED BY: Jacky Chen  
APPROVED BY: Tony Kao

DATE: 11/18/15  
DATE: 11/18/15  
DATE: 11/18/15

MAT'L		TITLE	SWITCH
FINISH		MODLE	DIP SWITCH Piano SMT Type
SCALE	1 : 1	DWG NO.	DSPVxxLSGET
SHEET NO.	1 of 1	PART NO.	DSPVxxLSGET

ITEM NO.	DESCRIPTION	DRAWN	DATE
3	更新尺寸	Jack	111815
2	更新材質	Jack	111015
1	新增尺寸	Jack	032014