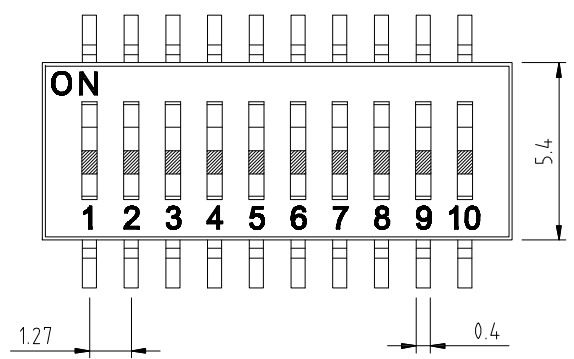




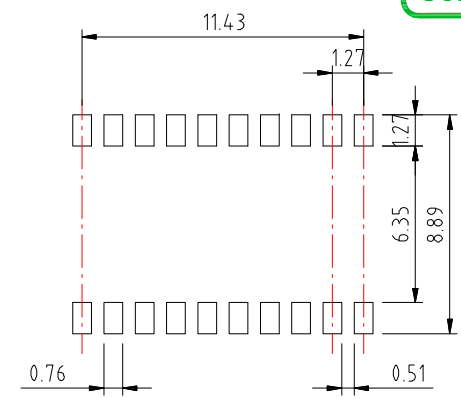
DSHPxxTSGEx

PIN數選項(N) Packing :

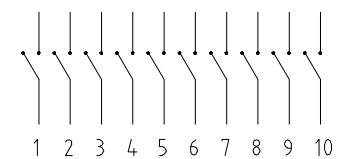
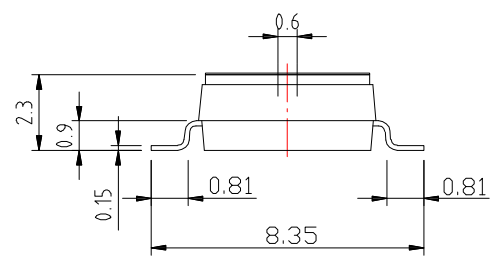
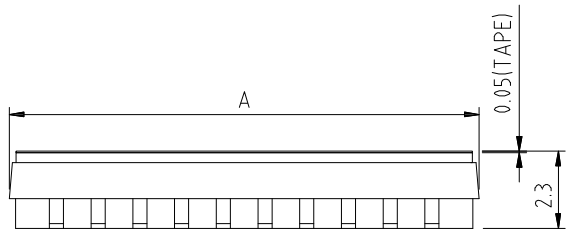
R: Reel
T: Tube



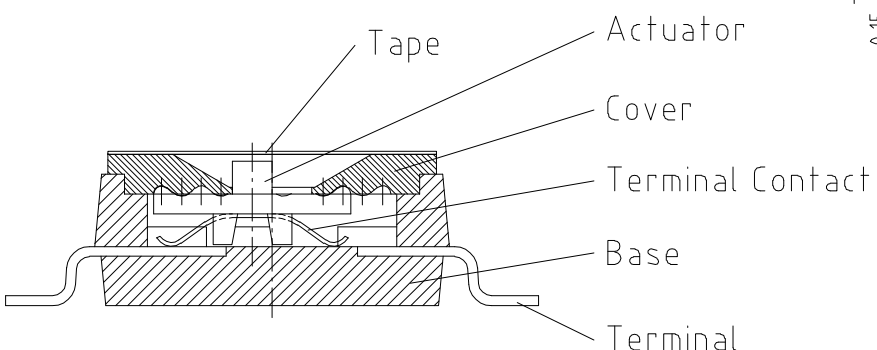
| Poles(N) | A (mm) |
|----------|--------|
| 01 | 2.87 |
| 02 | 4.12 |
| 03 | 5.41 |
| 04 | 6.66 |
| 05 | 7.93 |
| 06 | 9.20 |
| 08 | 11.74 |
| 10 | 14.28 |



P.C.B LAYOUT MOUNTING PATTERN



SCHEMATIC



| Part Name | Material | Finished |
|------------------|-----------|----------|
| Base | PPS | Black |
| Cover | PPS | Black |
| Actuator | PA9T | White |
| Movable | Beryllium | Gold |
| Terminal Contact | Brass | Gold |
| Terminal | Brass | Gold |
| Tape | PI | Amber |

| ITEM NO. | DESCRIPTION | DRAWN | DATE |
|----------|-------------|-------|--------|
| 6 | 更新材質 | Jack | 081921 |
| 5 | 更新圖面 | Jack | 070820 |
| 4 | 更新材質 | Jack | 080818 |
| 3 | 新增包裝選項 | Jack | 040918 |
| 2 | 更新材質 | Jack | 090116 |
| 1 | 更新材質 | Jack | 062013 |

CONTACT 建倚科技股份有限公司
CONTACT TECHNOLOGY CORP.

TOLERANCE UNLESS OTHERWISE STATED :
 Up to 5 ±0.2
 Above 5 ~ 15 ±0.3
 Above 15 ~ 30 ±0.4
 Above 30 ~ 50 ±0.5
 Angle ±0.3°

3RD. ANGEL'S

UNITS MM

| | | | | |
|--------------|----------|-----------|----------|-------------------|
| DRAWN BY: | DATE | MATL | TITLE | SWITCH |
| Jack Lu | 08/19/21 | | | |
| CHECKED BY: | DATE | FINISH | MODLE | DIP SWITCH 1.27MM |
| Jacky Chen | 08/19/21 | | | |
| APPROVED BY: | DATE | SCALE | DWG NO. | DSHPxxTSGEx |
| Tony Kao | 08/19/21 | 1 : 1 | | |
| | | SHEET NO. | PART NO. | DSHPxxTSGEx |
| | | 1 of 1 | | |

| SIZE |
|------|
| A4 |
| VER |
| R6 |