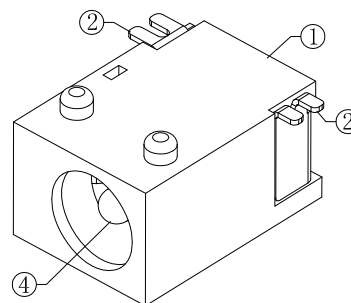
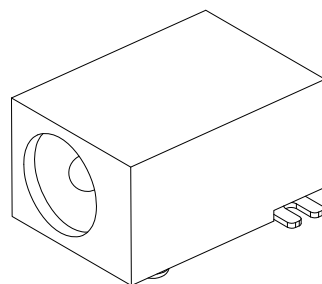
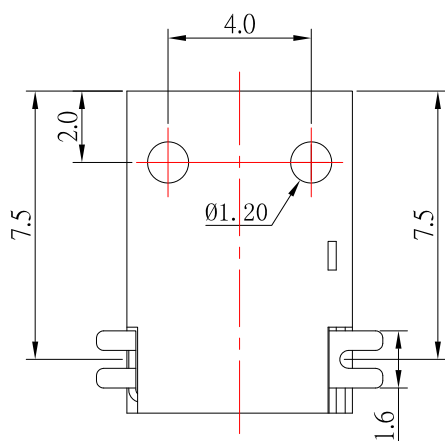


### P.C.B LAYOUT TOP VIEW



### SPECIFICATION

1. Rating : DC 30V 2.0A ;
2. Contact resistance :  $\leq 30m\Omega$  ;
3. Insulation resistance :  $\geq 100M\Omega$  ;
4. Withstand voltage : 500VAC ;
5. Insertion and extraction force : 3-20N
6. life test : 5,000 cycles °

MODEL NO.	DC-S047-x-S124
SCHEMATIC	3 (4)
	2
CENTER PIN	Ø1.00 mm
	Ø1.30 mm

NO.	DESCRIPTION	QTY	MATERIAL	PLATING
4	PIN	1	BRASS	Ni-Plating
3	CURVE PIECE	1	BRASS	Ag-Plating
2	SPRING PIECE	1	SUS301	Ag-Plating
1	HOUSING	1	PPA	

**CONTACT** 建倚科技股份有限公司  
CONTACT TECHNOLOGY CORP.

TOLERANCE UNLESS OTHERWISE STATED:  
 Up to 5 ±0.2  
 Above 5 ~ 15 ±0.3  
 Above 15 ~ 30 ±0.4  
 Above 30 ~ 50 ±0.5  
 Angle ±0.3

3RD. ANGEL'S



UNITS MM

DRAWN BY:	DATE	MAT'L	TITLE	JACK
Jack Lu	02/21/17		MODLE	DC JACK
CHECKED BY:	DATE	FINISH	DWG NO.	DC-S047-x-S124
Jacky Chen	02/21/17		PART NO.	DC-S047-x-S124
APPROVED BY:	DATE	SCALE	SHEET NO.	1 of 1
Tony Kao	02/21/17	1 : 1		

ITEM NO.	DESCRIPTION	DRAWN	DATE
1	更新為A0版	Jack	022117

SIZE  
A4  
VER  
A0