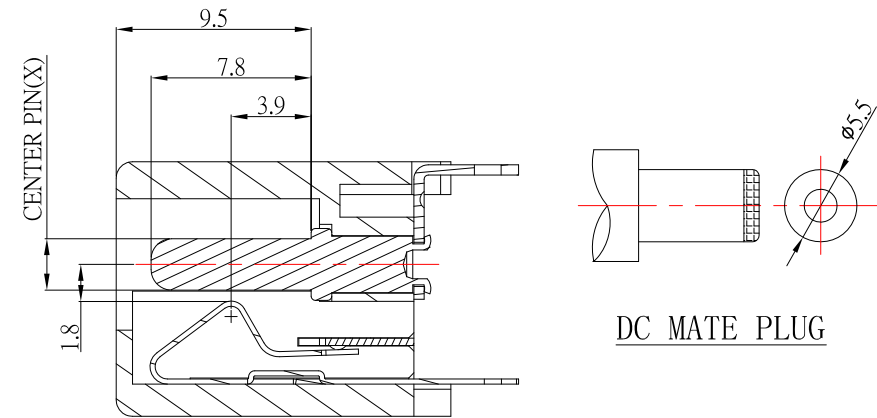
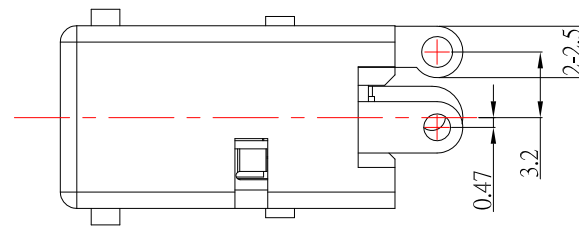
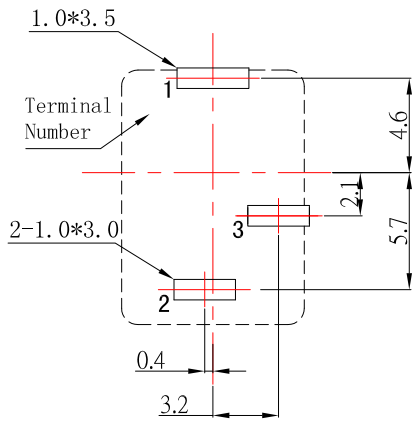


MODEL NO.	DC-077-x
SCHEMATIC	1
	2
CENTER PIN(X)	φ2.0 mm
	φ2.5 mm



P.C.B LAYOUT
TOP VIEW

SECTION A-A

SPECIFICATION

- Rating : DC 16V 5.0A
- Contact resistance : $\leq 30m\Omega$
- Insulation resistance : $\geq 100M\Omega$
- Withstand voltage : 500VAC
- Insertion and extraction force : 3-20N
- life test : 5,000 cycles

5	HOUSING	PBT	1	BLACK/WHITE
4	CENTER PIN	BRASS	1	NI-PLATING
3	TERMINAL 3	BRASS	1	AG-PLATING
2	TERMINAL 2	BRASS	1	AG-PLATING
1	TERMINAL 1	PHOSPHOR BRONZE	1	AG-PLATING
ITEM	PART NAME	MATERIAL	QTY	REMARK

CONTACT 建倚科技股份有限公司
CONTACT TECHNOLOGY CORP.

TOLERANCE UNLESS OTHERWISE STATED :
 Up to 5 ±0.2
 Above 5 ~ 15 ±0.3
 Above 15 ~ 30 ±0.4
 Above 30 ~ 50 ±0.5
 Angle ±0.3

3RD. ANGEL'S

UNITS MM

DRAWN BY:	DATE	MAT'L	TITLE	JACK
Jack Lu	07/11/17		MODLE	DC JACK
CHECKED BY:	DATE	SCALE	DWG NO.	DC-077-x-S214
Jacky Chen	07/11/17	1 : 1	PART NO.	DC-077-x-S214
APPROVED BY:	DATE	SHEET NO.	1 of 1	
Tony Kao	07/11/17			

1	更新PIN編號	Jack	071117
ITEM NO.	DESCRIPTION	DRAWN	DATE

SIZE A4
VER R1