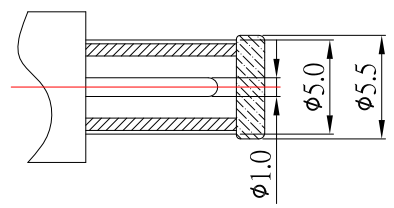
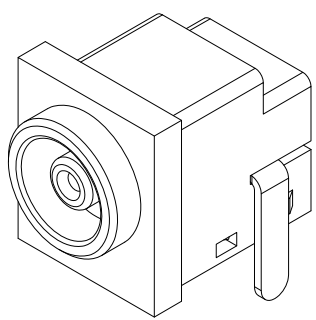


P.C.B LAYOUT
BOTTOM VIEW

SPECIFICATION

1. Rating : DC 24V, 3.0A
2. Contact resistance : $\leq 50m\Omega$
3. Insulation resistance : $\geq 100M\Omega$
4. Withstand voltage : 500VAC
5. Insertion and extraction force : 3-30N
6. life test : 5,000 cycles



DC MATE PLUG

| | |
|-----------|--------------|
| MODEL NO. | DC-058-2-1.0 |
| SCHEMATIC | |

| | | | | |
|-----|-------------|-----|--------------|-------------|
| 4 | PIN | 1 | BRASS | Tin-Plating |
| 3 | CONTACT | 1 | BRASS | Tin-Plating |
| 2 | CONTACT | 1 | COPPER ALLOY | Tin-Plating |
| 1 | HOUSING | 1 | PBT | Black |
| NO. | DESCRIPTION | QTY | MATERIAL | PLATING |

CONTACT 建倚科技股份有限公司
CONTACT TECHNOLOGY CORP.

TOLERANCE UNLESS OTHERWISE STATED :
 Up to 5 ±0.2
 Above 5 ~ 15 ±0.3
 Above 15 ~ 30 ±0.4
 Above 30 ~ 50 ±0.5
 Angle ±0.3



| | | | | |
|--------------|----------|-----------|----------|---------------------|
| DRAWN BY: | DATE | MAT'L | TITLE | JACK |
| Jack Lu | 08/14/18 | | | |
| CHECKED BY: | DATE | FINISH | MODLE | DC JACK HOUSING:PBT |
| Jacky Chen | 08/14/18 | | | |
| APPROVED BY: | DATE | SCALE | DWG NO. | DC-058-2-1.0-S214 |
| Tony Kao | 08/14/18 | 1 : 1 | PART NO. | DC-058-2-1.0-S214 |
| | | SHEET NO. | 1 of 1 | SIZE A4 |
| | | | | VER R1 |

| | | | |
|----------|-------------|-------|--------|
| 1 | 更新MODLE | Jack | 081418 |
| ITEM NO. | DESCRIPTION | DRAWN | DATE |