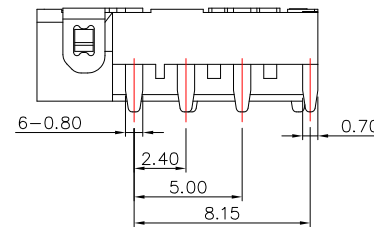
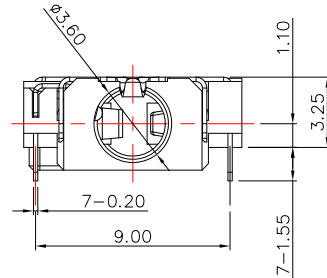
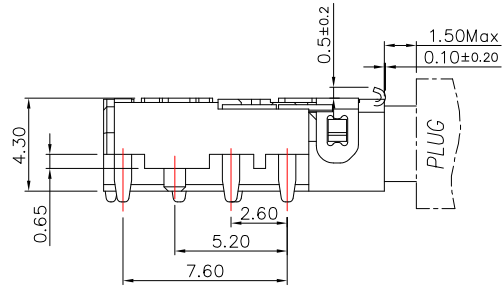
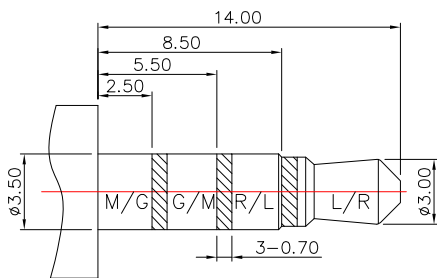


P.C.B LAYOUT

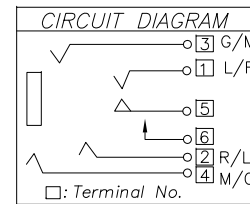
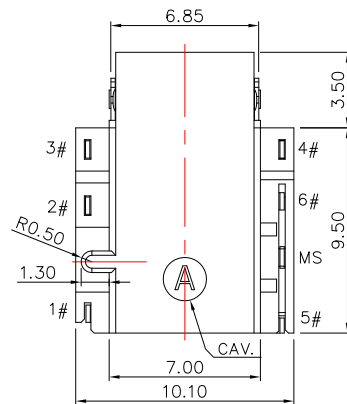


SPECIFICATION

1. Rating : DC 30V , 0.5A ;
2. Contact resistance : $\leq 50m\Omega$;
3. Insulation resistance : $\geq 100M\Omega$;
4. Withstand voltage : 500VAC ;
5. Insertion and extraction force : 2-30N;
6. life test : 5,000 cycles °



RECOMMENDED PLUG
ø3.5 4-POLE STANDARD PLUG



NO.	DESCRIPTION	QTY	MATERIAL	REMARK
K	Mylar	1 pcs		
J	Shell	MS 1 pcs	SUS	Ni Plated
H	Separator	1 pcs	PA10T	BLACK
G	Transfer	5] 1 pcs	Phosphor Bronze	
F	MAKE terminal	6] 1 pcs	Phosphor Bronze	
E	TIP Spring	1] 1 pcs	Phosphor Bronze	Au on contact area Gold flash on solder area
D	Ring B	2] 1 set	Phosphor Bronze	All over Ni min
C	Ring A	3] 1 set	Phosphor Bronze	
B	Earth	4] 1 pcs	Phosphor Bronze	
A	Housing	1 pcs	PA10T	BLACK

CONTACT 建倚科技股份有限公司
CONTACT TECHNOLOGY CORP.

TOLERANCE UNLESS OTHERWISE STATED :
Up to 5 ±0.2
Above 5 ~ 15 ±0.3
Above 15 ~ 30 ±0.4
Above 30 ~ 50 ±0.5
Angle ±0.3°

3RD. ANGEL'S



UNITS MM

DRAWN BY: Jack Lu
DATE: 06/21/23
CHECKED BY: Jacky Chen
DATE: 06/21/23
APPROVED BY: Tony Kao
DATE: 06/21/23

MAT'L	TITLE	JACK
FINISH	MODLE	PHONE JACK
SCALE	1 : 1	DWG NO. PJ-T52309B-S457
SHEET NO.	1 of 1	PART NO. PJ-T52309B-S457

ITEM NO.	DESCRIPTION	DRAWN	DATE