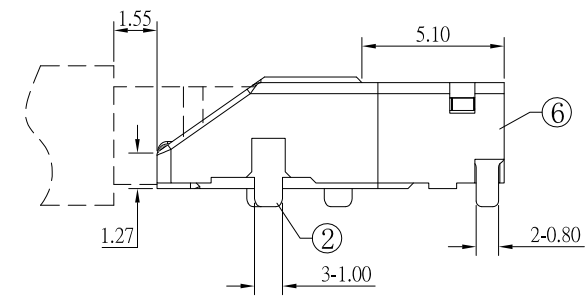
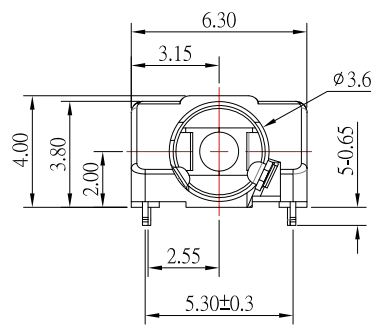
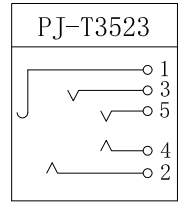


P.C.B LAYOUT
TOP VIEW

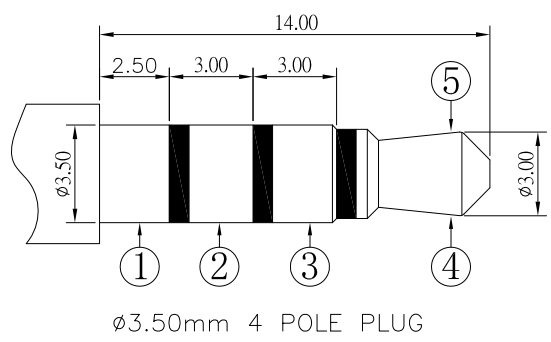
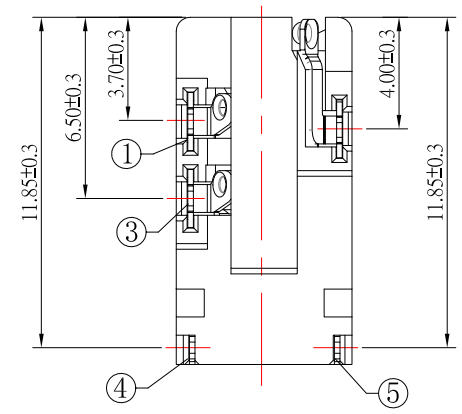


SCHEMATIC



SPECIFICATION

1. Rating : DC 30V , 1.0A ;
2. Contact resistance : ≤ 30mΩ ;
3. Insulation resistance : ≥ 100MΩ ;
4. Withstand voltage : 500VAC ;
5. Insertion and extraction force : 3-30N;
6. life test : 5,000 cycles .



No	PART NAME	QTY	MATERIAL	REMARK
⑥	HOUSING	1	PA9T	
⑤	5# CONTACT FOOT	1	SUS	Au-Plating
④	4# CONTACT FOOT	1	SUS	Au-Plating
③	3# CONTACT FOOT	1	PHOSPHOR BRONZE	Au-Plating
②	2# CONTACT FOOT	1	PHOSPHOR BRONZE	Au-Plating
①	1# CONTACT FOOT	1	PHOSPHOR BRONZE	Au-Plating

CONTACT 建倚科技股份有限公司
CONTACT TECHNOLOGY CORP.

TOLERANCE UNLESS OTHERWISE STATED:	Up to 5 ±0.2	3RD. ANGEL'S	UNITS	MM
	Above 5 ~ 15 ±0.3			
	Above 15 ~ 30 ±0.4			
	Above 30 ~ 50 ±0.5			
	Angle ±0.3°			

DRAWN BY:	DATE	MAT'L	TITLE	JACK
Jack Lu	11/08/21			
CHECKED BY:	DATE	FINISH	MODLE	PHONE JACK
Jacky Chen	11/08/21			
APPROVED BY:	DATE	SCALE	DWG NO.	PJ-T3523-S124
Tony Kao	11/08/21	1 : 1		
		SHEET NO.	PART NO.	PJ-T3523-S124
		1 of 1		

1	更新料號	Jack	110821
ITEM NO.	DESCRIPTION	DRAWN	DATE