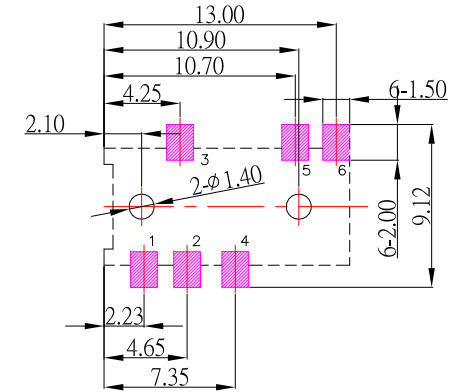
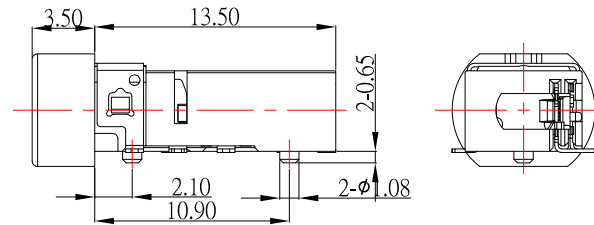
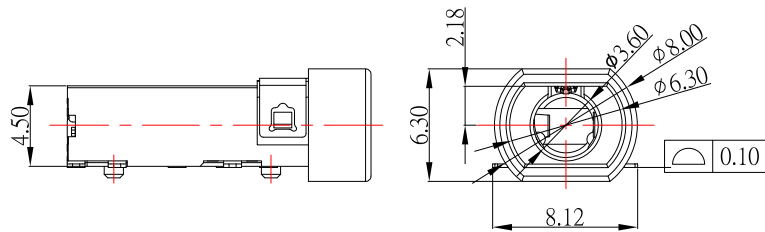


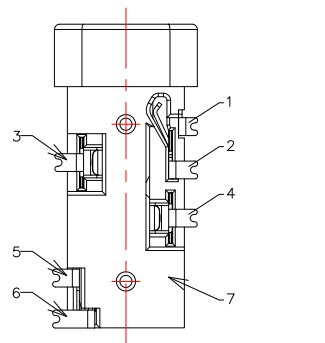
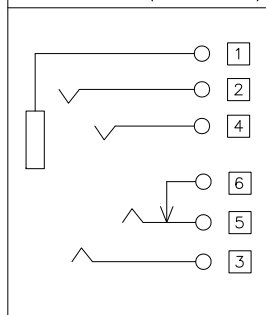
(ø3.50mm 5 POLE PLUG DETAIL DRAWING)



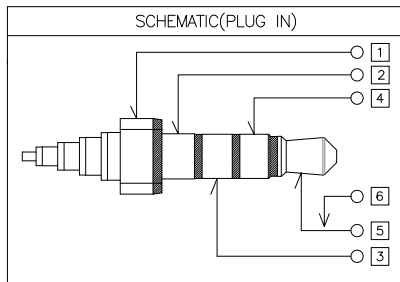
P.C.B LAYOUT MOUNTING PATTERN (TOP VIEW)



SCHEMATIC (PLUG OUT)



SCHEMATIC (PLUG IN)



SPECIFICATION

1. Rating : DC 12V , 1.0A ;
2. Contact resistance :  $\leq 50m\Omega$  ;
3. Insulation resistance :  $\geq 100M\Omega$  ;
4. Withstand voltage : 500VAC ;
5. Insertion and extraction force : 3-30N
6. life test : 5,000 cycles °

ITEM	NAME	Q'TY	DESCRIPTION
7	HOUSING	1	HIGH TEMPERATURE PLASTIC, COLOR BLACK
6	TERMINAL 6#	1	PHOSPHOR BRONZE; NICKEL UNDER PLATING OVERALL; GOLD PLATING ON SOLDER AREA ;GOLD PLATING ON CONTACT AREA
5	TERMINAL 5#	1	STAINLESS STEEL; NICKEL UNDER PLATING OVERALL; GOLD PLATING ON SOLDER AREA ;GOLD FLASH PLATING ON CONTACT AREA
4	TERMINAL 4#	1	PHOSPHOR BRONZE; GOLD FLASH ON CONTACT AREA; GOLD FLASH PLATING ON SOLDER TAIL AREA, ALL OVER NICKEL PLATED
3	TERMINAL 3#	1	
2	TERMINAL 2#	1	PHOSPHOR BRONZE; THE BOTTOM OF THE NICKEL; THE WHOLE GOLD PLATING.
1	TERMINAL 1#	1	

**CONTACT** 建倚科技股份有限公司  
CONTACT TECHNOLOGY CORP.

TOLERANCE UNLESS OTHERWISE STATED :  
Up to 5 ±0.2  
Above 5 ~ 15 ±0.3  
Above 15 ~ 30 ±0.4  
Above 30 ~ 50 ±0.5  
Angle ±0.3

3RD. ANGEL'S

UNITS MM

DRAWN BY:	DATE	MAT'L	TITLE	JACK
Jack Lu	08/07/20		MODLE	3.5 PHONE JACK 5 POLES
CHECKED BY:	DATE	SCALE	DWG NO.	PJ-S53061-S214
Jacky Chen	08/07/20	1 : 1	PART NO.	PJ-S53061-S214
APPROVED BY:	DATE	SHEET NO.	SIZE	A4
Tony Kao	08/07/20	1 of 1	VER	R1

ITEM NO.	DESCRIPTION	DRAWN	DATE
1	更新圖面	Jack	080720