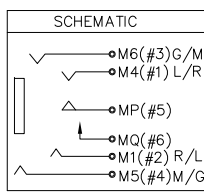
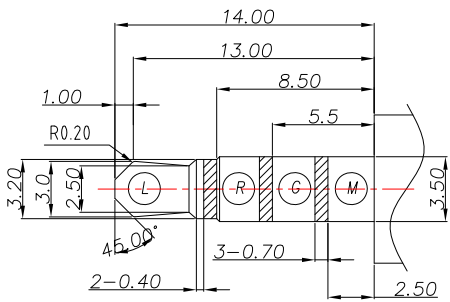
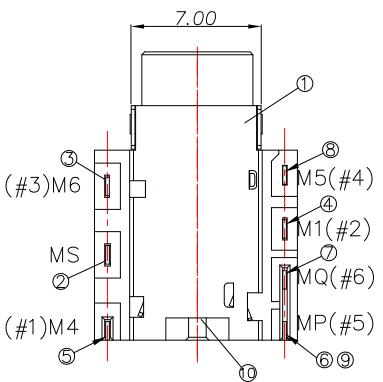


P.C.B LAYOUT  
TOP VIEW



SPECIFICATION

- Contact resistance :  $\leq 50m\Omega$
- Insulation resistance :  $\geq 100M\Omega$
- Withstand voltage : 250VAC
- Insertion and extraction force : 3-30N
- life test : 5,000 cycles

ITEM	DESCRIPTIONS	MATERIAL	FINISH	Q'TY
⑩	DUMMY PIN	STAINLESS STEEL	—	1
⑨	SEPARATOR	PA9T	BLACK	1
⑧	M5_CONTACT	C5210	GOLD FLASH ON CONTACT AREA.AND SOLDER AREA ALL OVER Ni	1
⑦	MQ_SHUNT	C5210		1
⑥	MP_CONTACT	C5210		1
⑤	M4_CONTACT	C5210		1
④	M1_CONTACT	C5210		1
③	M6_CONTACT	C5210		1
②	MS_SHELL	C5210	Ni	1
①	P1_HOUSING	PA9T	BLACK	1

**CONTACT** 建倚科技股份有限公司  
CONTACT TECHNOLOGY CORP.

TOLERANCE UNLESS OTHERWISE STATED:  
 Up to 5 ±0.2  
 Above 5 - 15 ±0.3  
 Above 15 - 30 ±0.4  
 Above 30 - 50 ±0.5  
 Angle ±0.3

3RD. ANGEL'S

UNITS MM

DRAWN BY:	DATE	MAT'L	TITLE	JACK
Jack Lu	10/31/19			
CHECKED BY:	DATE	FINISH	MODLE	PHONE JACK
Jacky Chen	10/31/19			
APPROVED BY:	DATE	SCALE	DWG NO.	PJ-S3R4A7-S214
Tony Kao	10/31/19	1 : 1		
		SHEET NO.	PART NO.	PJ-S3R4A7-S214
		1 of 1		

ITEM NO.	DESCRIPTION	DRAWN	DATE