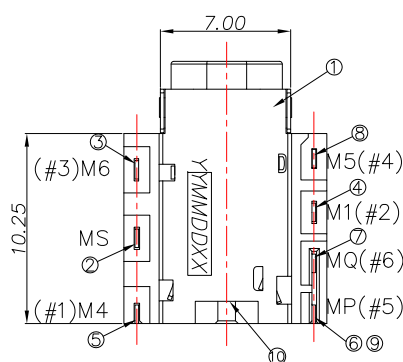


P.C.B LAYOUT
TOP VIEW



SCHEMATIC	
	•M6(#3)G/M
	•M4(#1)L/R
	△MP(#5)
	▲MQ(#6)
	▲M1(#2)R/L
	▲M5(#4)M/G

SPECIFICATION

- 1.Contact resistance : $\leq 50m\Omega$
- 2.Insulation resistance : $\geq 100M\Omega$
- 3.Withstand voltage : 250VAC
- 4.Insertion and extraction force : 3-30N
- 5.life test : 5,000 cycles

ITEM	DESCRIPTIONS	MATERIAL	FINISH	Q'TY
⑩	DUMMY PIN	STAINLESS STEEL	—	1
⑨	SEPARATOR	PA9T	BLACK	1
⑧	M5_CONTACT	PHOSPHOR BRONZE	Au: GOLD FLASH Ni	1
⑦	MQ_SHUNT	PHOSPHOR BRONZE		1
⑥	MP_CONTACT	PHOSPHOR BRONZE		1
⑤	M4_CONTACT	PHOSPHOR BRONZE		1
④	M1_CONTACT	PHOSPHOR BRONZE		1
③	M6_CONTACT	PHOSPHOR BRONZE		1
②	MS_SHELL	PHOSPHOR BRONZE	Ni	1
①	P1_HOUSING	PA9T	BLACK	1

CONTACT 建倚科技股份有限公司
CONTACT TECHNOLOGY CORP.

TOLERANCE UNLESS OTHERWISE STATED:
 Up to 5 ±0.2
 Above 5 ~ 15 ±0.3
 Above 15 ~ 30 ±0.4
 Above 30 ~ 50 ±0.5
 Angle ±0.3

3RD. ANGEL'S

UNITS MM

DRAWN BY:	DATE	MAT'L	TITLE	JACK
Jack Lu	06/07/23			
CHECKED BY:	DATE	FINISH	MODLE	PHONE JACK
Jacky Chen	06/07/23			
APPROVED BY:	DATE	SCALE	DWG NO.	PJ-S3R2A7-HF-S214
Tony Kao	06/07/23	1 : 1		
		SHEET NO.	PART NO.	PJ-S3R2A7-HF-S214
		1 of 1		

ITEM NO.	DESCRIPTION	DRAWN	DATE
3	更新樣式	Jack	060623
2	更新樣式和材質和鍍層	Jack	111722
1	新增"HP"標示	Jack	110122