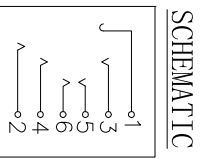
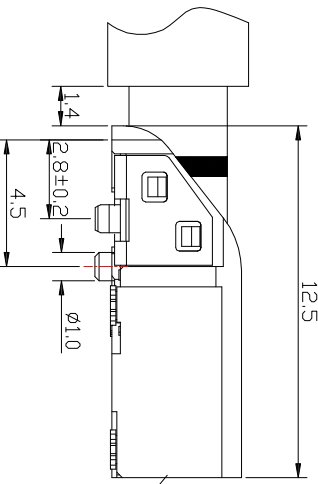
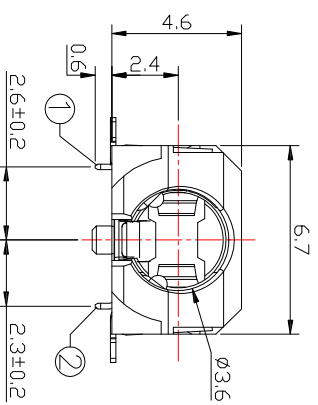


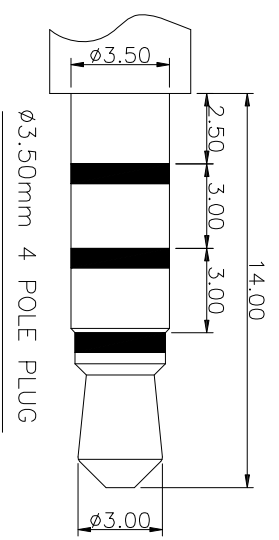
P.C.B LAYOUT
TOP VIEW



SCHEMATIC

SPECIFICATION

1. Rating : DC 30V , 1.0A ;
2. Contact resistance : ≤ 30mΩ ;
3. Insulation resistance : ≥ 100MΩ ;
4. Withstand voltage : 500VAC ;
5. Insertion and extraction force : 3-30N;
6. Life test : 5,000 cycles ◦



Ø3.50mm 4 POLE PLUG

NO.	DESCRIPTION	QTY	MATERIAL	PLATING
7	HOUSING	1	LCP	
6	6# CONTACT FOOT	1	PHOSPHOR BRONZE	Au-Plating
5	5# CONTACT FOOT	1	PHOSPHOR BRONZE	Au-Plating
4	4# CONTACT FOOT	1	PHOSPHOR BRONZE	Au-Plating
3	3# CONTACT FOOT	1	PHOSPHOR BRONZE	Au-Plating
2	2# CONTACT FOOT	1	PHOSPHOR BRONZE	Au-Plating
1	1# CONTACT FOOT	1	PHOSPHOR BRONZE	Au-Plating

CONTACT 建倚科技股份有限公司
CONTACT TECHNOLOGY CORP.

Up to 5 ±0.3
Above 5 ~ 15 ±0.4
Above 15 ~ 30 ±0.4
Above 30 ~ 50 ±0.5
Angle ±0.3

TOLERANCE UNLESS OTHERWISE STATED:

DESCRIPTION	DRAWN	DATE	3RD. ANGELS	UNITS	MM

DRAWN BY:	DATE	MATL	TITLE	JACK
Jack Lu	01/15/19			
CHECKED BY:	DATE	FINISH	MODLE	PHONE JACK
Jacky Chen	01/15/19			
APPROVED BY:	DATE	SCALE	DWG NO.	PS-S3214-S124
Tomy Kao	01/15/19	1 : 1	PART NO.	PS-S3214-S124
		SHEET NO.	1 of 1	
ITEM NO.		SIZE	A4	
		VER	R	

