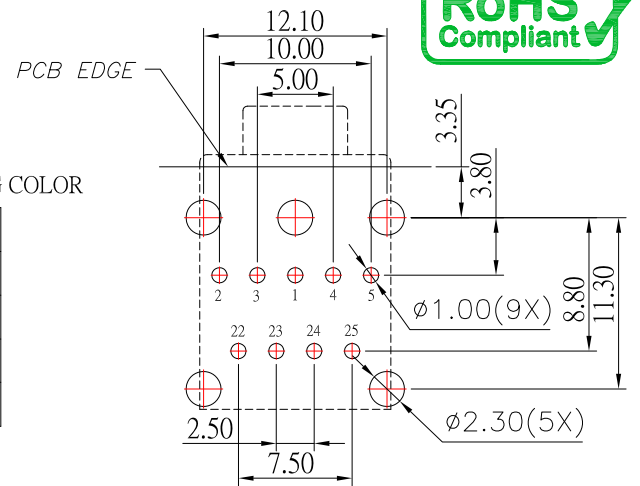


PJ-D343A-xx-S214

PLASTIC BUSHING COLOR

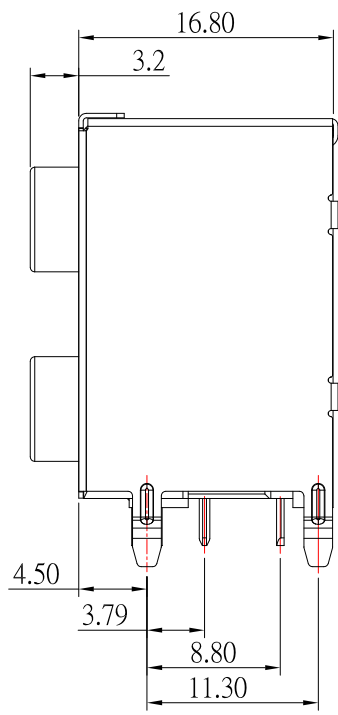
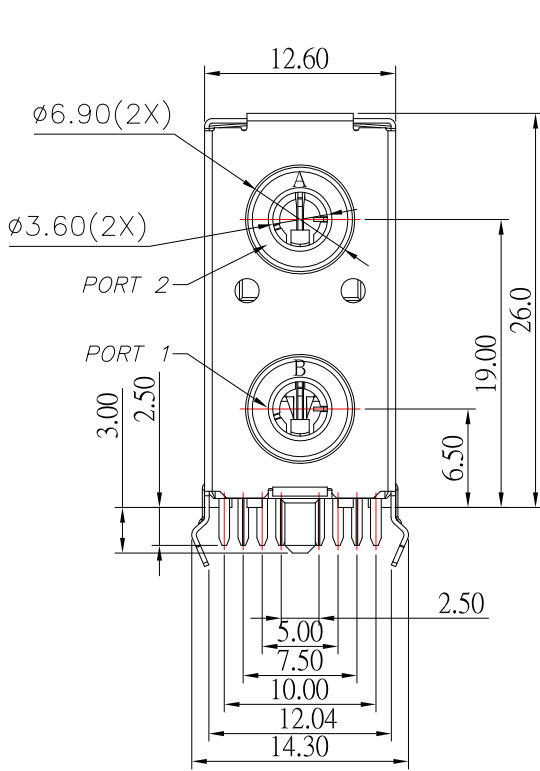
A	B
Blank	Black
P	Pink
B	Blue
G	Green



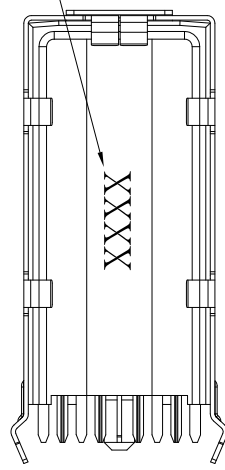
P.C.B LAYOUT

NOTE:

- MATERIAL SPECIFICATION:
 - 1-1.PLASTIC BUSHING:PA66
 - 1-2.HOUSING:PA9T;COLOR:BLACK
 - 1-3.COVER:LCP;COLOR:BLACK,
 - 1-4.SHIELD:STAINLESS STEEL;
 - 1-5.2-TIP TERMINAL&TIP TERMINAL: BRASS
 - 1-6.2-TS TERMINAL&TS TERMINAL: BRASS
 - 1-7.2-RS TERMINAL&RS TERMINAL: BRASS
 - 1-8.2-RING TERMINAL&RING TERMINAL: BRASS
 - 1-9.SLEEVE TERMINAL: BRASS
- PLATING SPECIFICATION:
 - 2-1.CONTACTS:
 - Ni UNDER PLATED OVER ALL.
 - Au PLATED ON THE FUNCTIONAL AREA OF CONTACT.
 - TIN PLATED ON SOLDER AREA.
 - 2-2.SHIELD:TIN PLATED ON SOLDER AREA.
- MECHANICAL PERFORMANCE,
 - 3-1.INSERTION FORCE: 3.0kgf MAX
 - 3-2.REMOVAL FORCE: 0.3kgf MIN
 - 3-3.DURABILITY: 1500 CYCLES.
- ELECTRICAL PERFORMANCE,
 - 4-1.INSULATION RESISTANCE: 100MΩ MIN
 - 4-2.DIELECTRIC WITHSTAND VOLTAGE: AC 500V



DATE CODE



CONTACT 建倚科技股份有限公司
CONTACT TECHNOLOGY CORP.

TOLERANCE UNLESS OTHERWISE STATED:
 Up to 5 ±0.2
 Above 5 ~ 15 ±0.3
 Above 15 ~ 30 ±0.4
 Above 30 ~ 50 ±0.5
 Angle ±0.3

3RD. ANGEL'S

UNITS MM

DRAWN BY:	DATE	MAT'L	TITLE	JACK
Jack Lu	06/18/20			
CHECKED BY:	DATE	FINISH	MODLE	PHONE JACK
Jacky Chen	06/18/20			
APPROVED BY:	DATE	SCALE	DWG NO.	PJ-D343A-xx-S214
Tony Kao	06/18/20	1 : 1	PART NO.	PJ-D343A-xx-S214
		SHEET NO.	1 of 1	
				SIZE A4
				VER R2

ITEM NO.	DESCRIPTION	DRAWN	DATE
2	更新選項代號	Jack	061820
1	新增顏色選項料號	Jack	052220