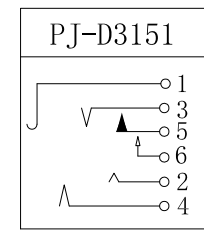


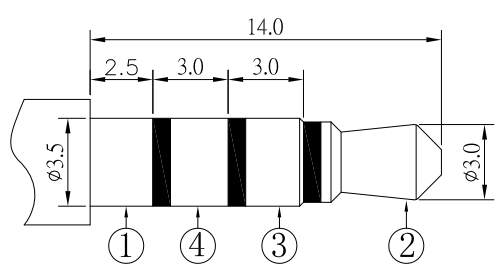
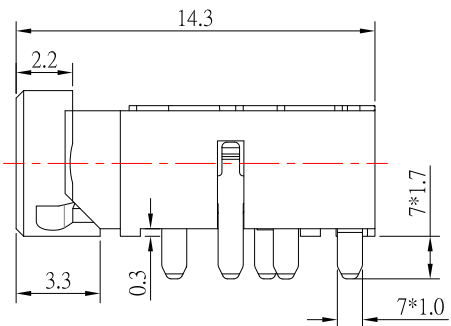
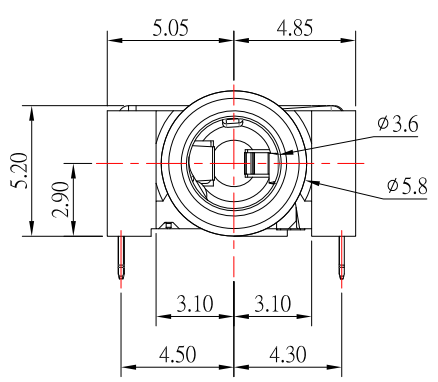
P.C.B LAYOUT
TOP VIEW

SCHEMATIC

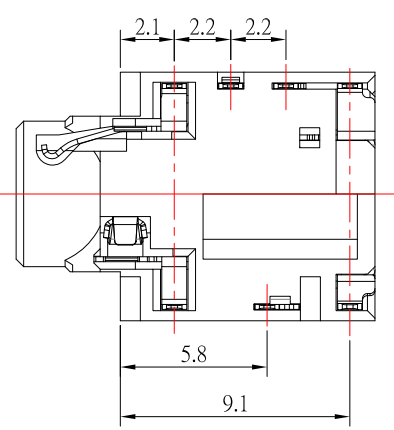


SPECIFICATION

1. Rating : DC 30V, 1.0A ;
2. Contact resistance : $\leq 30m\Omega$;
3. Insulation resistance : $\geq 100M\Omega$;
4. Withstand voltage : 500VAC ;
5. Insertion and extraction force : 3-30N;
6. life test : 5,000 cycles °



ø3.50mm 4 POLE PLUG



No	PART NAME	QTY	MATERIAL	REMARK
9	HOUSING	1	PA9T	
8	INSULATOR	1	PA9T	
7	SHELL	1	SUS	Ni-Plating
6	CONTACT FOOT	1	PHOSPHOR BRONZE	Au-Plating
5	CONTACT FOOT	1	PHOSPHOR BRONZE	Au-Plating
4	CONTACT FOOT	1	PHOSPHOR BRONZE	Au-Plating
3	CONTACT FOOT	1	PHOSPHOR BRONZE	Au-Plating
2	CONTACT FOOT	1	PHOSPHOR BRONZE	Au-Plating
1	CONTACT FOOT	1	PHOSPHOR BRONZE	Au-Plating

CONTACT 建倚科技股份有限公司
CONTACT TECHNOLOGY CORP.

TOLERANCE UNLESS OTHERWISE STATED:
 Up to 5 ±0.2
 Above 5 ~ 15 ±0.3
 Above 15 ~ 30 ±0.4
 Above 30 ~ 50 ±0.5
 Angle ±0.3°

3RD. ANGEL'S

UNITS MM

DRAWN BY:	DATE	MAT'L	TITLE	JACK
Jack Lu	08/10/20		MODLE	PHONE JACK
CHECKED BY:	DATE	SCALE	DWG NO.	PJ-D3151-S124
Jacky Chen	08/10/20	1 : 1	PART NO.	PJ-D3151-S124
APPROVED BY:	DATE	SHEET NO.	SIZE	A4
Tony Kao	08/10/20	1 of 1	VER	R

ITEM NO.	DESCRIPTION	DRAWN	DATE