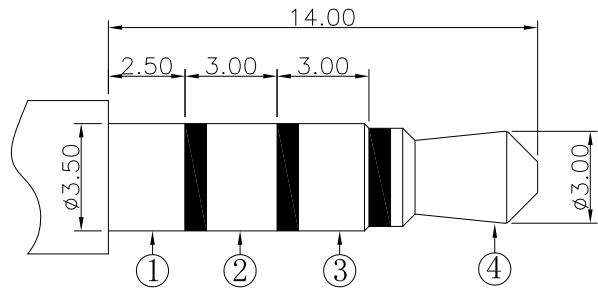
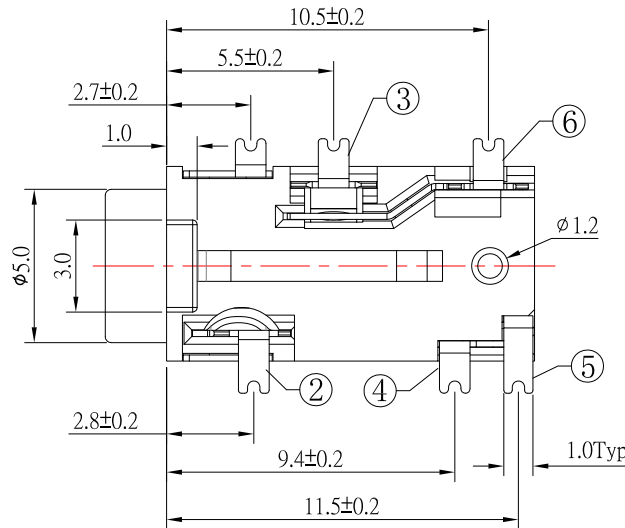


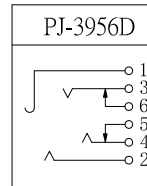
P.C.B LAYOUT  
TOP VIEW



ø3.50mm 4 POLE PLUG



SCHEMATIC



SPECIFICATION

1. Rating : DC 30V 0.5A ;
2. Contact resistance :  $\leq 30m\Omega$  ;
3. Insulation resistance :  $\geq 100M\Omega$  ;
4. Withstand voltage : 500VAC ;
5. Insertion and extraction force : 3-20N;
6. life test : 5,000 cycles .

7	HOUSING	1	PA9T	
6	6# CONTACT FOOT	1	PHOSPHOR BRONZE	Au-Plating
5	5# CONTACT FOOT	1	PHOSPHOR BRONZE	Au-Plating
4	4# CONTACT FOOT	1	PHOSPHOR BRONZE	Au-Plating
3	3# CONTACT FOOT	1	PHOSPHOR BRONZE	Au-Plating
2	2# CONTACT FOOT	1	PHOSPHOR BRONZE	Au-Plating
1	1# CONTACT FOOT	1	PHOSPHOR BRONZE	Au-Plating
NO.	DESCRIPTION	QTY	MATERIAL	PLATING

**CONTACT** 建倚科技股份有限公司  
CONTACT TECHNOLOGY CORP.

TOLERANCE UNLESS OTHERWISE STATED:  
 Up to 5 ±0.2  
 Above 5 ~ 15 ±0.3  
 Above 15 ~ 30 ±0.4  
 Above 30 ~ 50 ±0.5  
 Angle ±0.3°

3RD. ANGEL'S

UNITS MM

DRAWN BY:	DATE	MAT'L	TITLE	JACK
Jack Lu	12/17/19			
CHECKED BY:	DATE	FINISH	MODLE	PHONE JACK
Jacky Chen	12/17/19			
APPROVED BY:	DATE	SCALE	DWG NO.	PJ-3956D-S124
Tony Kao	12/17/19	1 : 1	PART NO.	PJ-3956D-S124
		SHEET NO.	1 of 1	
				SIZE A4
				VER R1

1	更新樣式	Jack	121719
ITEM NO.	DESCRIPTION	DRAWN	DATE