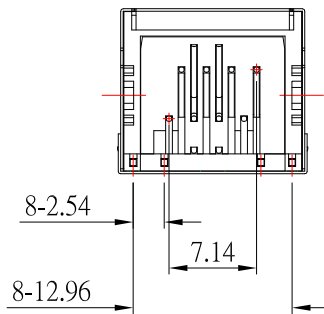


**PCB LAYOUT**



**RJ45-6371x-GY-S492**

鍍層厚度：

|       |      |
|-------|------|
| Blank | 1u"  |
| 1     | 3u"  |
| 2     | 15u" |
| 3     | 30u" |
| 5     | 6u"  |
| 6     | 50u" |

SPECIFICATIONS

Electrical:

- 1.Voltage Rating : 125 VAC RMS
- 2.Current Rating : 1.5 AMP
- 3.Contact Resistance : 20 mΩ MAX
- 4.Insulation Resistance : 1000 MΩ MIN. @500 VDC
- 5.Dielectric Strength : 1000 VAC RMS 60 HZ 1 MIN

Material:

- 1.Housing : PA9T,Black
- 2.Contact : Phosphor Bronze , Gold Plating over Nickel
- 3.Shield : Brass , Nickel Plated

Environmental:

- 1.Operation Temperature : -40°C ~ +85°C
- 2.Storage Temperature : -40°C ~ +85°C

| ITEM NO. | DESCRIPTION | DRAWN | DATE |
|----------|-------------|-------|------|
|          |             |       |      |
|          |             |       |      |
|          |             |       |      |

**CONTACT 建倚科技股份有限公司**  
**CONTACT TECHNOLOGY CORP.**

|                                     |  |              |  |       |    |
|-------------------------------------|--|--------------|--|-------|----|
| TOLERANCE UNLESS OTHERWISE STATED : | Up to 5 ±0.2<br>Above 5 ~ 15 ±0.3<br>Above 15 ~ 30 ±0.4<br>Above 30 ~ 50 ±0.5<br>Angle ±0.3° | 3RD. ANGEL'S |  | UNITS | MM |
|-------------------------------------|--|--------------|--|-------|----|

|              |          |           |          |  |
|--------------|----------|-----------|----------|--|
| DRAWN BY:    | DATE     | MAT'L     | TITLE    | RJ45                                     |
| Jack Lu      | 08/22/25 | FINISH    | MODLE    | RJ45 Cat.6 SIDE ENTRY PCB FTP 8P W/I LED |
| CHECKED BY:  | DATE     | SCALE     | DWG NO.  | RJ45-6371x-GY-S492                       |
| Jacky Chen   | 08/22/25 | 1 : 1     | PART NO. | RJ45-6371x-GY-S492                       |
| APPROVED BY: | DATE     | SHEET NO. | 1 of 1   | SIZE<br>A4                               |
| Tony Kao     | 08/22/25 | VER<br>R  |          |  |