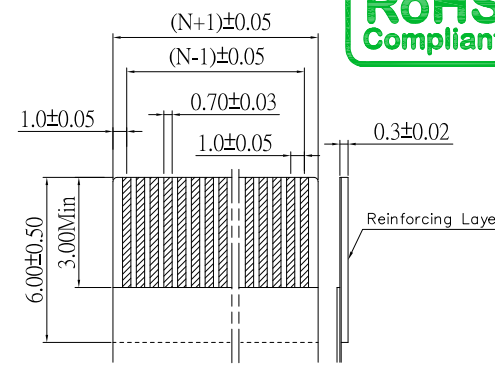
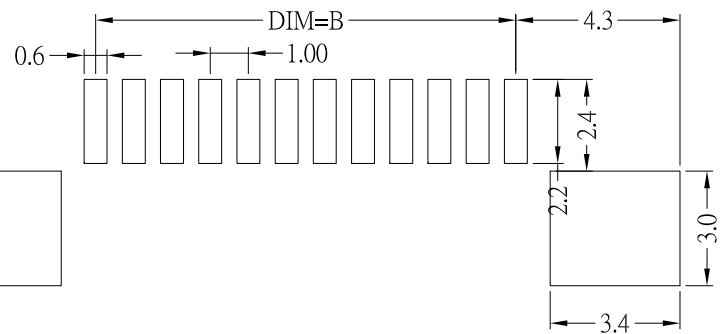
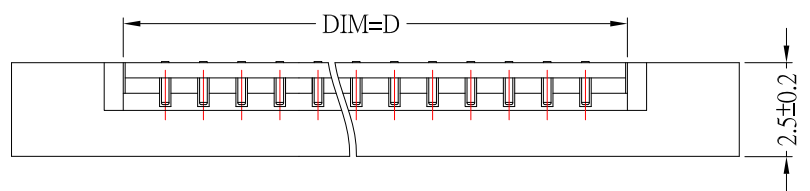


上接触



RECOMMENDED FFC/FPC DIM.



RECOMMENDED PCB LAYOUT

PIN數	DIM=A	DIM=B	DIM=C	DIM=D
04	9.2	3.0	11.0	5.1
05	10.2	4.0	12.0	6.1
06	11.2	5.0	13.0	7.1
07	12.2	6.0	14.0	8.1
08	13.2	7.0	15.0	9.1
09	14.2	8.0	16.0	10.1
10	15.2	9.0	17.0	11.1
11	16.2	10.0	18.0	12.1
12	17.2	11.0	19.0	13.1
13	18.2	12.0	20.0	14.1
14	19.2	13.0	21.0	15.1
15	20.2	14.0	22.0	16.1
16	21.2	15.0	23.0	17.1
17	22.2	16.0	24.0	18.1
18	23.2	17.0	25.0	19.1
20	25.2	19.0	27.0	21.1
22	27.2	21.0	29.0	23.1
24	29.2	23.0	31.0	25.1
25	30.2	24.0	32.0	26.1
26	31.2	25.0	33.0	27.1
27	32.2	26.0	34.0	28.1
28	33.2	27.0	35.0	29.1
30	35.2	29.0	37.0	31.1
32	37.2	31.0	39.0	33.1
34	39.2	33.0	41.0	35.1
35	40.2	34.0	42.0	36.1
36	41.2	35.0	43.0	37.1
40	45.2	39.0	47.0	41.1

- Material:
- 1.1 Housing: LCP
  - 1.2 Leg: Brass, Tin PLated
  - 1.3 Contact: Phosphor Bronze, Tin PLated
  - 1.4 Slider: LCP

**CONTACT** 建倚科技股份有限公司  
CONTACT TECHNOLOGY CORP.

TOLERANCE UNLESS OTHERWISE STATED:  
 Up to 5 ±0.2  
 Above 5 ~ 15 ±0.3  
 Above 15 ~ 30 ±0.4  
 Above 30 ~ 50 ±0.5  
 Angle ±0.3°

3RD. ANGEL'S

UNITS MM

DRAWN BY:	DATE	MAT'L	TITLE	CONNECTOR
Jack Lu	01/17/22		MODLE	FPC 1.0 K 型 抽屜上接
CHECKED BY:	DATE	FINISH	SCALE	1 : 1
Jacky Chen	01/17/22		DWG NO.	FPC10U2-25xx-A-S304
APPROVED BY:	DATE	SHEET NO.	PART NO.	FPC10U2-25xx-A-S304
Tony Kao	01/17/22	1 of 1		

ITEM NO.	DESCRIPTION	DRAWN	DATE
1	更新RECOMMENDED FFC/FPC DIM尺寸和新增材質	Jack	011722