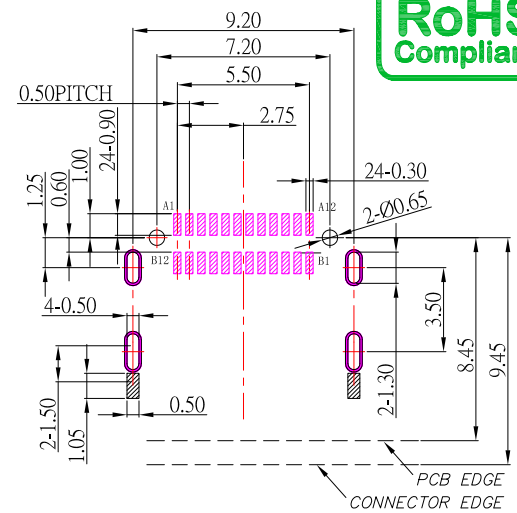
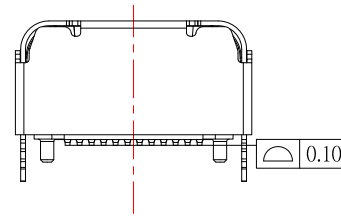
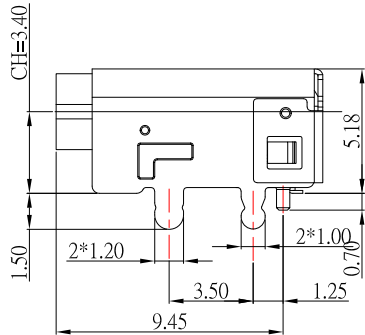
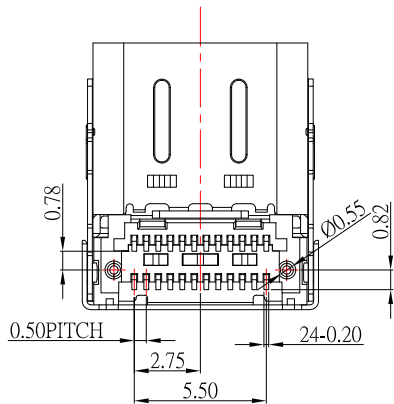
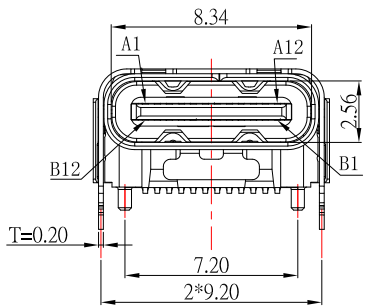
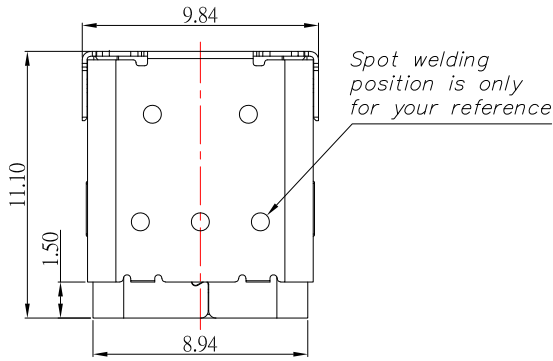




SBC-240S29B-31x-S410

鍍層厚度：

Blank : 1u"
2 : 15u"
3 : 30u"



P.C.B LAYOUT

A1	GND	B12	GND
A2	SSTXP1	B11	SSRXP1
A3	SSTXN1	B10	SSRXN1
A4	VBUS	B9	VBUS
A5	CC1	B8	SBU2
A6	DP1	B7	DN2
A7	DN1	B6	DP2
A8	SBU1	B5	CC2
A9	VBUS	B4	VBUS
A10	SSRXN2	B3	SSTXN2
A11	SSRXP2	B2	SSTXP2
A12	GND	B1	GND
PIN	SIGNAL NAME	PIN	SIGNAL NAME

SPECIFICATIONS

Electrical:

- Rating: 20V , 5.0A
- Contact Resistance: 40 mΩ Max
- Insulation Resistance: 100 MΩ Min
- Dielectric Withstanding Voltage: 100V AC

Mechanical:

- Connector Mate and Unmate Force
 - Mate force: 5~20 N
 - Unmate force: 8~20 N

Material:

- Housing: LCP
- Contact: C7025
- Shell: SUS

Finish:

- Contact: Plated Gold in Mating Area ;
Tin Plated on Solder Balls ;
Nickel under plated overall
- Shell: Nickel under Plated surface layer

CONTACT 建倚科技股份有限公司
CONTACT TECHNOLOGY CORP.

TOLERANCE UNLESS OTHERWISE STATED :	Up to 5 ±0.2	3RD. ANGEL'S	UNITS	MM
	Above 5 ~ 15 ±0.3			
	Above 15 ~ 30 ±0.4			
	Above 30 ~ 50 ±0.5			
	Angle ±0.3			

DRAWN BY:	DATE	MATL	TITLE	CONNECTOR
Jack Lu	11/01/24			
CHECKED BY:	DATE	FINISH	MODLE	USB 3.1 TYPE C 母座板上 L11.1 板上墊高 CL 3.4mm 長腳1.5腳距3.5
Jacky Chen	11/01/24			
APPROVED BY:	DATE	SCALE	DWG NO.	SBC-240S29B-31x-S410
Tony Kao	11/01/24	1 : 1	PART NO.	SBC-240S29B-31x-S410
		SHEET NO.	1 of 1	
				SIZE A4
				VER R